



HIGH-SECURITY

Series 25

High-security electric strikes are considered one of the smallest and still **strongest strikes on the market**, the perfect solution for installations where high-performances are required.

They are 100% reversible and feature an adjustable keeper. The radial keeper rotates inside the mechanism box of the electric strike, so the installer does not have to cut the door frame to make it fit.

All models are equipped with electronic protection to prevent damage to the access control system they are connected to. This also represents an advantage for the installer as the connection is not polarized.

Featuring a wide variety of functions and voltages, these strikes quickly unlock standard doors through low power consumption.

Technical features

- Guaranteed endurance rating: 300.000 cycles (120N side-load on AC)
Max. side-load on AC: 160 N
Max. side-load on DC: 10 N
- Break-in resistance: 10.000 N
- Dynamic Strength: 70 ft lbf
- Operating temperature range: -15 °C /+40 °C
- Housing Material: Steel
- Keeper Material: Stainless Steel
Keeper's Adjustability: 3 mm
Keeper Depth: 6 mm
- New hold-open system
- Guaranteed 3 years
- Complies with 2004/108/CE (EN 55014)
- Corrosion resistant according to UNI ISO 9227

Coil features

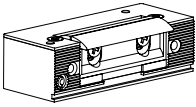
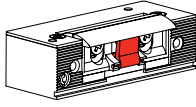
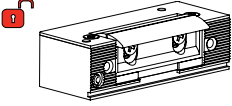
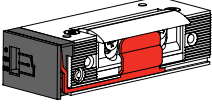
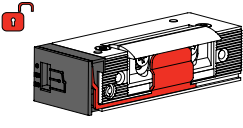
B 8-14 V ac/dc <1min
(14 Ω 0,68A at 12 V ac)

J 5-12 V ac/dc <1min
(8 Ω 0,9A at 9 V ac)

E 12 V dc ∞
(50 Ω 0,25A)

F 24 V dc ∞
(185 Ω 0,12A)

References and features

		Radial adjustable keeper	Reversible	Side-load	Electronic protection	Voltage	References add faceplate
	Fail-secure	<input checked="" type="checkbox"/>	<input checked="" type="checkbox"/>	<input checked="" type="checkbox"/>	<input checked="" type="checkbox"/>	8-14 V ac/dc	250.1.00.B
		<input checked="" type="checkbox"/>	<input checked="" type="checkbox"/>	<input checked="" type="checkbox"/>	<input checked="" type="checkbox"/>	5-12 V ac/dc	250.1.00.J
		<input checked="" type="checkbox"/>	<input checked="" type="checkbox"/>	<input checked="" type="checkbox"/>	<input checked="" type="checkbox"/>	12 V dc	250.1.00.E
		<input checked="" type="checkbox"/>	<input checked="" type="checkbox"/>	<input checked="" type="checkbox"/>	<input checked="" type="checkbox"/>	24 V dc	250.1.00.F
	Hold-open	<input checked="" type="checkbox"/>	<input checked="" type="checkbox"/>	<input checked="" type="checkbox"/>	<input checked="" type="checkbox"/>	8-14 V ac/dc	252.1.00.B
		<input checked="" type="checkbox"/>	<input checked="" type="checkbox"/>	<input checked="" type="checkbox"/>	<input checked="" type="checkbox"/>	5-12 V ac/dc	252.1.00.J
	Fail-safe	<input checked="" type="checkbox"/>	<input checked="" type="checkbox"/>	<input checked="" type="checkbox"/>	<input checked="" type="checkbox"/>	12 V dc	254.1.00.E
		<input checked="" type="checkbox"/>	<input checked="" type="checkbox"/>	<input checked="" type="checkbox"/>	<input checked="" type="checkbox"/>	24 V dc	254.1.00.F
	Fail-secure with monitoring	<input checked="" type="checkbox"/>	<input checked="" type="checkbox"/>	<input checked="" type="checkbox"/>	<input checked="" type="checkbox"/>	8-14 V ac/dc	256.1.00.B
		<input checked="" type="checkbox"/>	<input checked="" type="checkbox"/>	<input checked="" type="checkbox"/>	<input checked="" type="checkbox"/>	5-12 V ac/dc	256.1.00.J
		<input checked="" type="checkbox"/>	<input checked="" type="checkbox"/>	<input checked="" type="checkbox"/>	<input checked="" type="checkbox"/>	12 V dc	256.1.00.E
		<input checked="" type="checkbox"/>	<input checked="" type="checkbox"/>	<input checked="" type="checkbox"/>	<input checked="" type="checkbox"/>	24 V dc	256.1.00.F
	Fail-safe with monitoring	<input checked="" type="checkbox"/>	<input checked="" type="checkbox"/>	<input checked="" type="checkbox"/>	<input checked="" type="checkbox"/>	12 V dc	258.1.00.E
		<input checked="" type="checkbox"/>	<input checked="" type="checkbox"/>	<input checked="" type="checkbox"/>	<input checked="" type="checkbox"/>	24 V dc	258.1.00.F

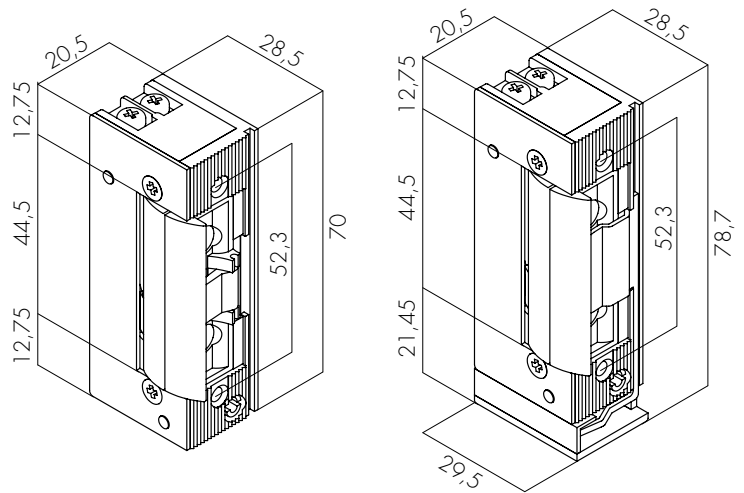
Monitoring features

		Intensity	Contact resistance	Insulation resistance	Operating temperature
Microswitch S3	IEC IP67 excluding the terminal	0,1A/125V ac 2A/12V dc	100 mΩ maximum	100 MΩ minimum (at 500V dc)	From -40°C to 85°C (without ice)

Recommended Faceplates

SHORT	LONG	ANGLED
61 SST	43 SST	16 Brown
66 SST	63 SST	17 Brown
92 SST	67 SST	45 Brown
	71 SST	48 Brown
	C63 SST	49 SST
		50 SST

Dimensions



with monitoring