

DH-PFA136

Water-proof Junction Box



Features

- Neat & Integrated design.
- Material: Aluminum
- Water-proof Junction box

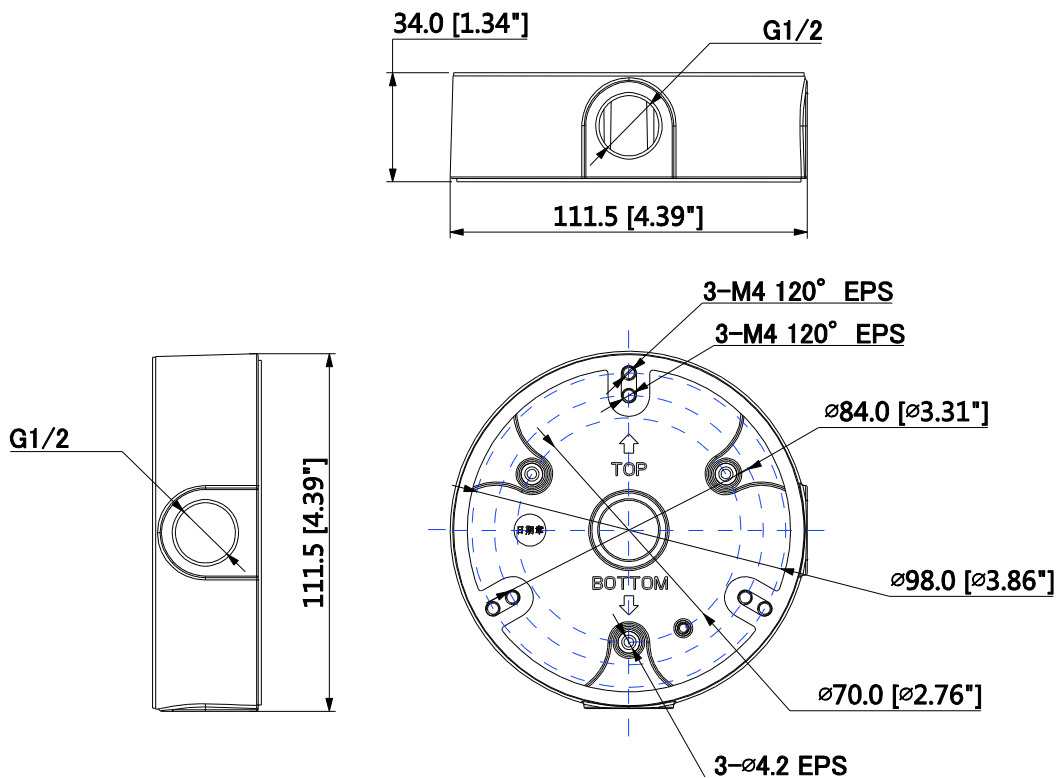
Technical Specifications

| | |
|-----------------------|----------------------------------|
| Model | DH-PFA136 |
| General | |
| Material | Aluminum |
| Dimension | Φ111.5mmx34mm(φ4.39"x1.34") |
| Inch Thread | M20(G1/2") |
| Load Bearing | 1.0kg(2.2lb) |
| Weight | 0.19kg(0.42lb) |
| Color | White |
| Operating Temperature | -40°C~+60°C(-40°F ~+140°F) |
| Humidity | 0~90% RH |
| Applicable Model | Please see "Accessory Selection" |

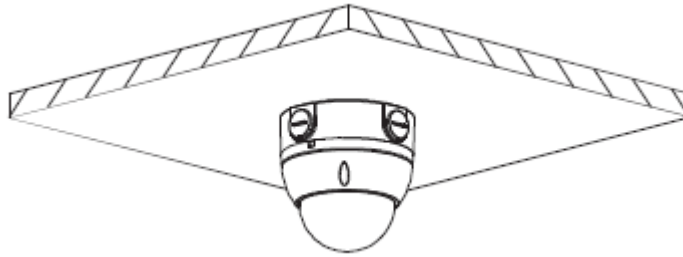
Order Information

| Type | Part Number | Description |
|--------------|-------------|---|
| Camera mount | DH-PFA136 | Water-proof Junction box _ Dahua brand |
| | PFA136 | Water-proof Junction box _ Neutral, no brand |

Dimensions (mm/inch)



Application



Package Information

- Water-proof junction box *1
- M4x10 screw *3
- ST4x25 screw *3
- Plastic anchor *3
- Water Joint *1
- Wrench *1

| Package data | |
|--------------------------|--|
| Box Dimension | 146mmx65mmx147mm(5.75"x2.56"x5.79") |
| Box Weight | 0.28kg (0.62lb) |
| Protective Box Dimension | 343mmx305mmx307mm(13.5"x12.01"x12.09") |
| Box In Protective Box | 20 In 1 |