



Specification

- Power Input : 12V/24V AC/DC
- Dimension : 87mm x 91mm x 53mm
- 7 color LED and OFF individually setting for Normal mode and Tamper mode
- Buzzer enable under Tamper mode
- Micro switch current rating : 2.5A 125V AC
- 2 sets Micro Switch

Highlight

Resettable call point, which double poles change over contacts from N/C to Open and N/O to Close, the main function is to override the electric locking / release devices in case of emergency.

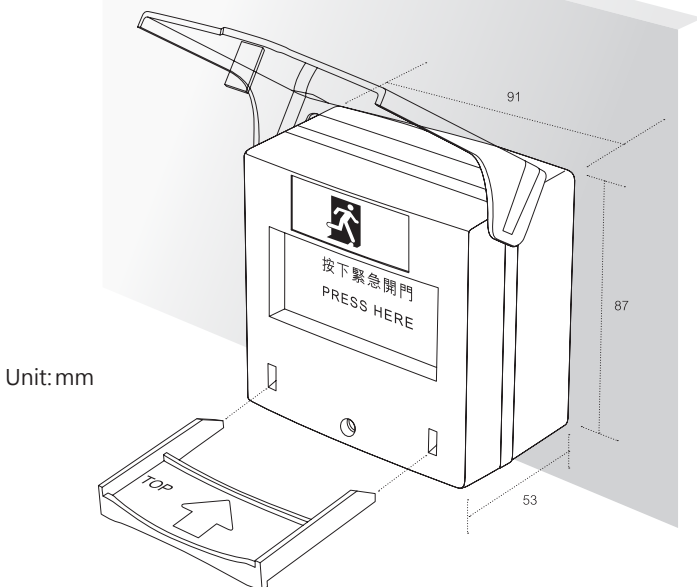
User can use the plastic key to reset the switch, it minimizes the down time which compare to use break glass device. The resettable call point comes with hinged front cover to prevent the unit from activating randomly.

LED backlight can indicate the direction of the call point and also know the E-Lock power is normal or failure.

7 colors LED and OFF by DIP switch setting to show the status of the switch at Normal or Tampered mode.

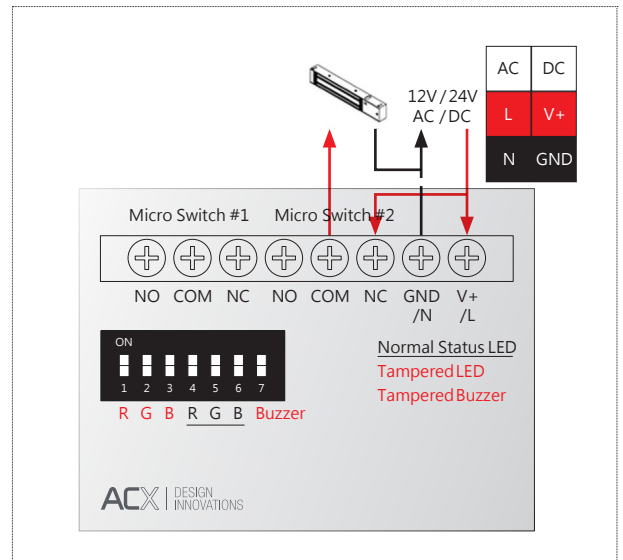
Buzzer also enable under tampered mode.

Dimension

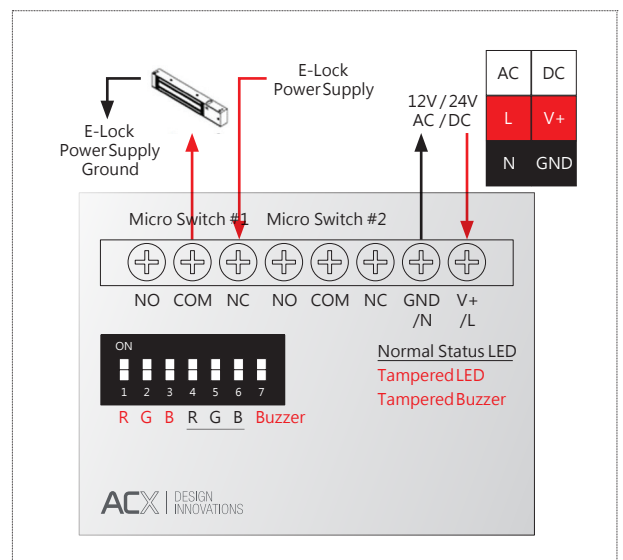


Application

Wiring Method #1



Wiring Method #2





規格

- 輸入電壓：12V/24V AC/DC
- 裝置尺寸：87毫米 x 91毫米 x 53毫米
- 正常或者觸發狀態可開關7色LED背光
- 觸發狀態可設置蜂鳴器響聲
- 微動開關額定電流：2.5A 125V AC
- 兩組微動開關

產品特色

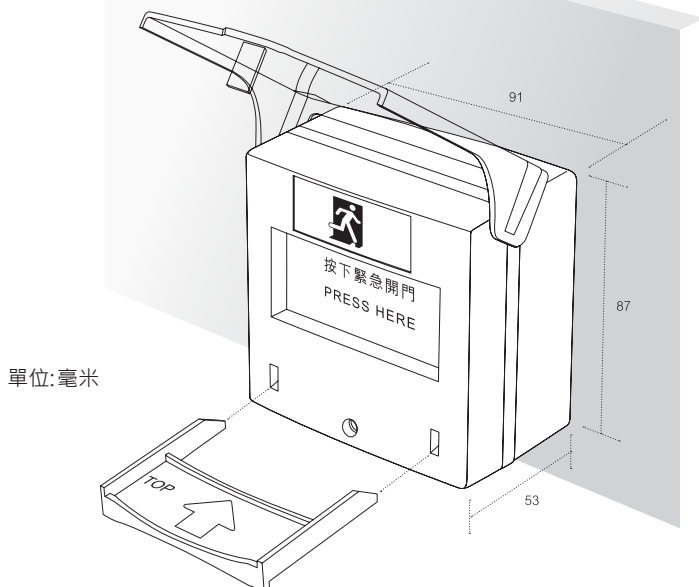
可復位的緊急開門裝置，提供兩組微動開關，可將常閉變為打開，常開變成關閉，主要功能是在緊急情況下控制電子鎖閉/釋放裝置，確保逃生者順利離開。

使用者可以配套的鑰匙重置裝置，與傳統的緊急開門裝置相比，減少了傳統裝置恢復正常所需的時間和成本。

可復位的緊急開門裝置有塑膠前蓋保護，以防止裝置被隨意啟動。LED背光可以清楚的顯示裝置所在位置，並且以此來判斷電鎖電源是否正常或故障。

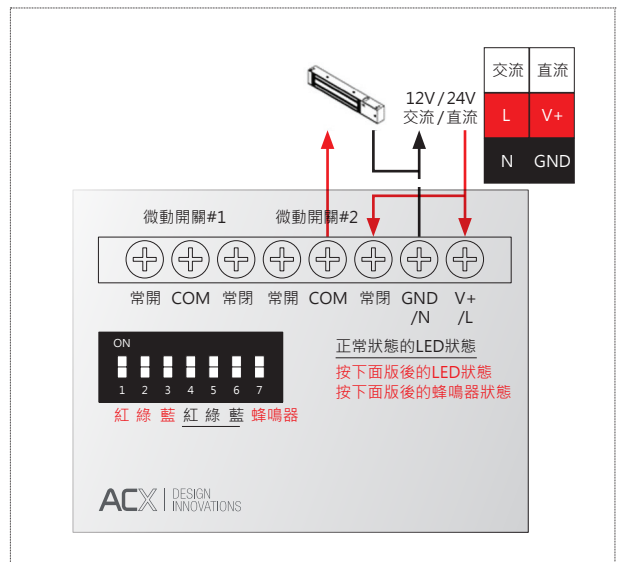
可通過撥碼開關設置有/沒有背光顯示，正常或者觸發狀態皆可設置7種不同的LED背光顏色。觸發狀態時可設置有蜂鳴器響聲。

尺寸



應用

接線方法 #1



接線方法 #2

