



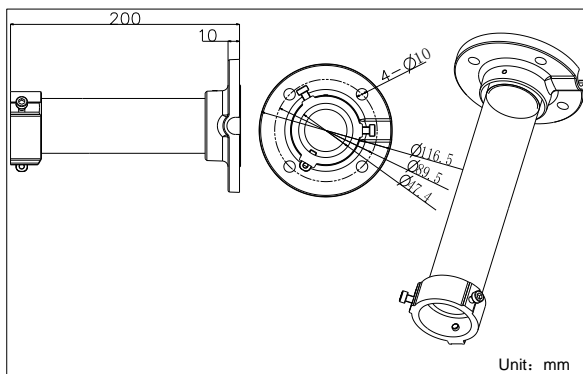
DS-1661ZJ

Pendent Mounting Bracket In/Outdoor

Features:

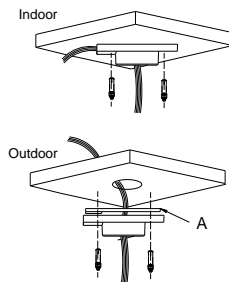
- Aluminum alloy material with surface spray treatment
- General design for indoor/outdoor
- Design of cable entrance hole
- Better water proof with rubber pad design
- With safety rope, the assembling is safer and more convenient

Dimension:



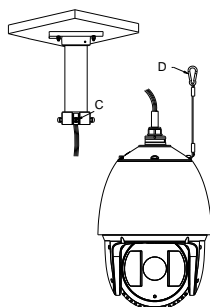
Installation steps:

- ① Choose the appropriate wall to mount the ceiling, and rubber blanket should be added when assembling outdoors



A: Waterproof rubber blanket

- ③ Fasten the safety rope, thread the line and assemble the speed dome



C: Safety rope hook D: Safety rope

Order model:

DS-1661ZJ

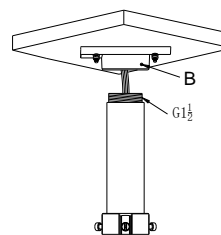
Parameters:

Model	DS-1661ZJ
Parameter	Pendent Mounting Bracket In/Outdoor
Color	Hik white
Feature	Suitable for speed dome pendent mounting (not suitable for DS-2AE-714)
Material	Aluminum alloy
Dimension	Φ 116.5 × 200mm
Weight	600g

Notice:

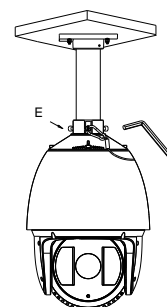
- Pay attention to the color matching when select bracket
- The bracket should be installed on the flat surface of a wall
- The wall must be capable of supporting more than 3 times the total load of the camera and the mount.
- The maximum load capacity of the mount is 30KG

- ② Twist and fix the screwed pipe after threading



B: Screw hole

- ④ Fasten the snap joint fixing screw



E: Snap joint fixing screw.

Note: The figure of Speed Dome in “Installation Step” is only for your reference; please adhere to our real products.