

## HK-SFP-1.25G Series SFP Module

### Features and Functions

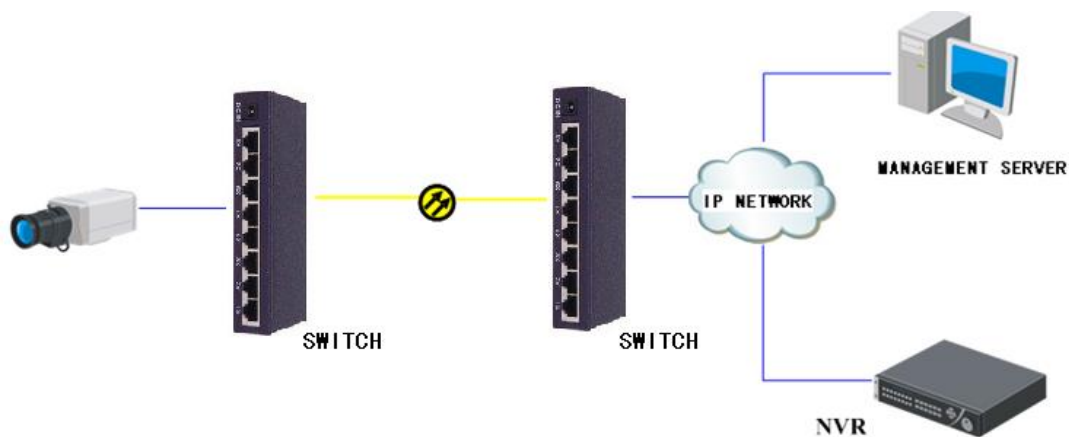
- Single Power Supply 3.3V
- Small Form Factor Pluggable (SFP) MSA Compatible
- Duplex LC Connector
- Hot Pluggable Capability
- Compliant With ROHS Standard
- Cost effective SFP solution, enables higher port densities and greater bandwidth
- Support 1.25G Ethernet



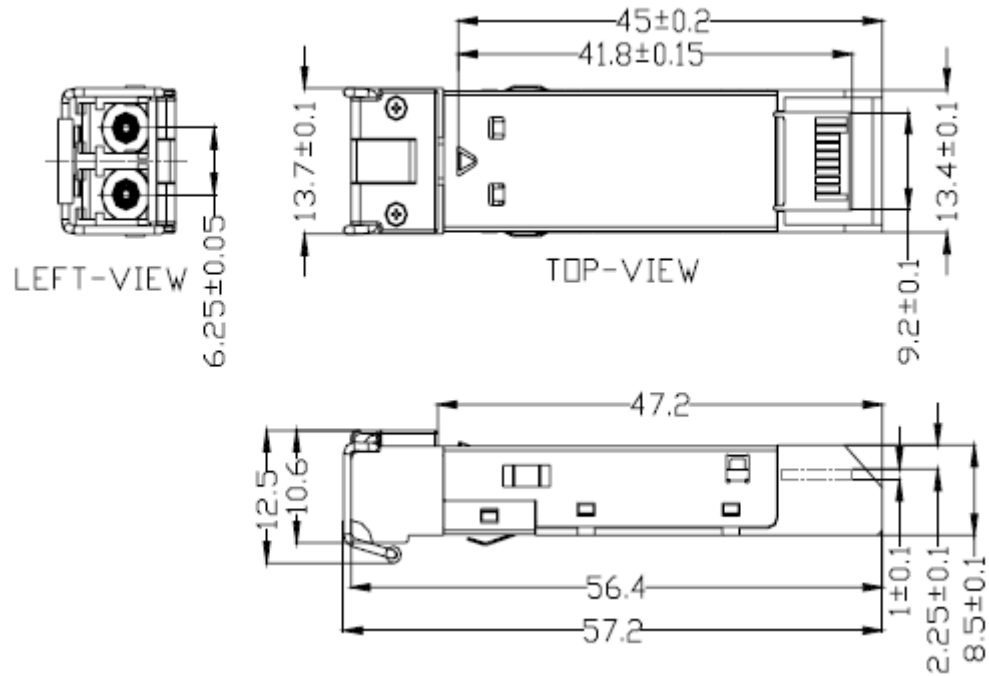
## Specifications

Item	HK-SFP-1.25G-1310-DF-MM
Fiber type	MMF, duplex fiber, 62.5/125um
Connector	LC
Date Rate	1250 Mbps
Connector quantity	2
Distance	0~1km
Wavelength	Tx1310nm/Rx1310nm
TX Power	-9~-3dBm
RX Sens(Max.)	-20dBm
Operating temperature	0~70°C
Storage temperature	-40~85°C
Relative humidity	30~80%
Power supply voltage	DC 3.3V

## Typical applications



## Mechanical (mm)



Distributed by



### Headquarters

No.555 Qianmo Road, Binjiang District,  
Hangzhou 310051, China  
T +86-571-8807-5998  
overseasbusiness@hikvision.com

**Hikvision USA**  
T +1-909-895-0400  
sales.usa@hikvision.com

**Hikvision Italy**  
T +39-0438-6902  
info.it@hikvision.com

**Hikvision Singapore**  
T +65-6684-4718  
sg@hikvision.com

**Hikvision Europe**  
T +31-23-5542770  
saleseuro@hikvision.com

**Hikvision France**  
T +33(0)1-85-330-444  
info.fr@hikvision.com

**Hikvision Oceania**  
T +61-2-8599-4233  
salesau@hikvision.com

**Hikvision Middle East**  
T +971-4-8816086  
salesme@hikvision.com

**Hikvision Spain**  
T +34-91-737-16-55  
info.es@hikvision.com

**Hikvision Hong Kong**  
T +852-2151-1761

**Hikvision Russia**  
T +7-495-669-67-99  
saleru@hikvision.com

**Hikvision Poland**  
T +48-22-460-01-50  
poland@hikvision.com

**Hikvision Canada**  
T +1-909-895-0400  
sales.usa@hikvision.com

**Hikvision India**  
T +91-22-28469900  
sales@pramahikvision.com

**Hikvision UK**  
T +44-1628-9021-4  
support.uk@hikvision.com