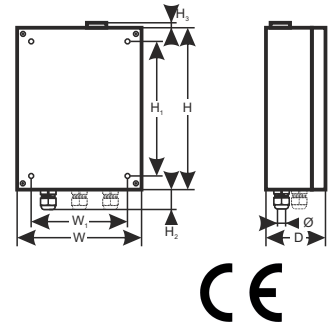


CODE: **SG64H** v1.0/II

EN**

TYPE: **SG64H 6-ports switch with power supply for 4 IP cameras in hermetic enclosure**



Features:

- Switch 6 ports
4 PoE ports 10/100/1000Mb/s (data transfer and power supply)
2 ports 10/100/1000Mb/s (UpLink)
- 30W for each PoE port, supports devices compliant with the IEEE802.3af/at (**PoE+**) standard
- Supports auto-learning and auto-aging of MAC addresses (1K size)
- LED indication
Pole mounting option (requires the OZB2 adapter - **optional accessory**)
- Built-in switch mode power supply PSCL520115 52VDC/1,15A/60W
- Protections:
 - SCP short circuit protection
 - OLP overload protection
 - surge protection (AC input)
- IP56 hermetic enclosure
- warranty – 1 year from the production date

DESCRIPTION

SG64H is a 6-ports PoE switch designed to supply IP cameras operating in IEEE 802.3af/at standard. Automatic detection of any devices powered in the PoE/PoE+ standard is enabled at the 1 – 4 ports of the switch. The UpLink ports is used for connection of another network device via RJ45 connector. The LEDs at the front panel indicate the operation status.

The PoE technology ensures a network connection and reduces installation costs by eliminating the need to supply a separate power cable for each device. This method allows supplying other network devices, such as IP phone, wireless access point or router.

TECHNICAL PARAMETERS

Ports	6 10/100/1000Mb/s ports (4 x PoE + 2 x UpLink) with connection speed auto-negotiation and MDI/MDIX Auto Cross
PoE power supply	IEEE 802.3af/at (1+4 ports), 52VDC / 30W at each port * Used pairs 4/5 (+), 7/8 (-)
Protocols, Standards	IEEE802.3, 802.3u, 802.3x CSMA/CD, TCP/IP
Bandwidth	8,8Gbps
Transmission method	Store-and-Forward
Optical indication of operation	Switch power supply; Link/Act; PoE Status
Short circuit protection SCP	electronic, automatic recovery
Overload protection OLP	150%-200% PSU power, automatic recovery
Power supply	90 ÷ 264VAC 50+60Hz / 0,5A / 230VAC switched mode power supply PSCL520115 52VDC / 1,15A/60W max.
F MAINS fuse	T3,15A / 250V
Operating conditions	temperature -10°C ÷ 40°C, relative humidity 5% - 90%, no condensation
External dimensions	W=146, H=196, D=78 [+/- 2mm]
Mounting dimensions	W ₁ =105, H ₁ =155 [+/- 2mm]
Height glands	H ₂ =25mm
Height of the pressure compressor	H ₃ =9 [mm]
The number of cable glands/ Ø cables	7 pcs. / 4÷8mm
Enclosure	IP56, light grey
Additional equipment	plate to be fixed surface
Net/gross weight	1,2 / 1,3kg
Protection class EN 60950-1:2007	I (first)
Storage temperatur	-25°C ÷ 50°C
Declarations, warranty	CE, 1 year from the production date

* The given value of 30W per port is the maximum value. The total power consumption should not exceed 30W when all PoE ports are being used.

Connection schemes

