

# VX 1982-35.5

HYBRID LOCKING - HQMAG RANGE

## Hybrid Locking:

The VX 1982-35.5 is a exclusive and patented hybrid locking.

Equipped with a conical new locking system, dedicated to receive a specific Pin made in extra-strong steel, it offers 5 times more resistance to traction than the same sized electromagnetic locking systems in the market.

## Quality, Security and Design:

Vortex is the only locking system which triggers the alarm BEFORE the access is breached. And we are pioneers on developing this high-end technology.

All offering a similar size as a 2500N electromagnet, and a reduced power consumption (of 20% less than the usual one in the market), the VX1982-35.5 can reach a holding force of more than 1500 kgf.

VX1982-35.5 is fitted with pressure sensors, allowing the unit to send an alarm as soon as the access is forced without authorisation.



VORTEX



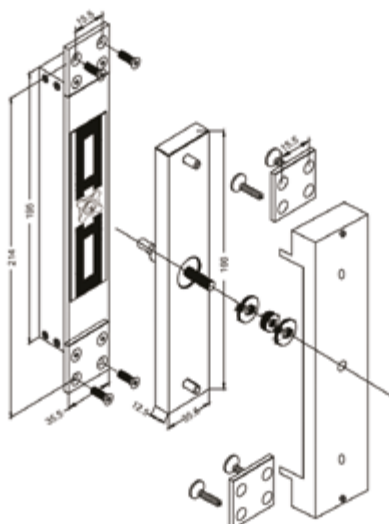
A universal magnet of a very small size fitted with a conical orifice which confines a very strong alloy pin within a vortex of magnetic and mechanical force.

## FEATURES

- Strong design, High-end finish
- Corrosion proof: Salt Spray Test (ISO 9227, ASTM B 117-90) at 35% for 96 hours
- No residual magnetism – Spring push button (repulsor) not useless on armature plate for magnet release
- Built-in MOV surge protection
- Tamper proof device: aluminum pads are fitted in the access points of the electromagnetic lock fixing screws
- Early Warning technology
- 2 years warranty



## DIMENSIONS



## SPECIFICATIONS

- Mounting: Mortise
- Holding force real tested\* (+/-5%): ~15020 N / ~3371 lbf/~1502 kgf
- Voltage: 12/24 V DC
- Current: 330/170 mA
- Locking monitoring
- Door position monitoring
- Early Warning Alarm EW technology: Fitted with EW pressure sensors and built-in buzzer able to send an alarm before access forced opened
- Early Warning Alarm EW outputs: 1
- NF S61 937: Yes
- Size (LxWxH): 195 x 35.5 x 26 mm
- Weight: ~1.4 kg

\* According tests of range done in independent laboratory.