

DH-PFB205W-E

Wall Mount Bracket



- Aluminum alloy material, cost-effective
- Dedicated for particular cameras, beautiful and elegant designed



Series overview

Ideal for mounting cameras, it works in temperatures ranging from -40°C to $+60^{\circ}\text{C}$ (-40°F to $+140^{\circ}\text{F}$) and in environments with relative humidity of less than 90%.

Technical Specification

Structure

| | |
|----------------------|---|
| Material | Aluminum alloy |
| Dimensions | 161.6 mm × 125.6 mm × 76.0 mm (6.36" × 4.94" × 2.99") (L × W × H) |
| Color | White |
| Net Weight | 0.49 kg (1.08 lb) |
| Gross Weight | 0.56 kg (1.23 lb) |
| Load Bearing | 2.0 kg (4.41 lb) |
| Installation | Wall mount |
| Applicable Camera | Please see "Accessory Selection" |
| Product Dimensions | 128.0 mm × 81.0 mm × 170.0 mm (5.04" × 3.19" × 6.69") (L×W×H) |
| Packaging Dimensions | 427.0 mm × 272.0 mm × 363.0 mm (16.81" × 10.71" × 14.29") (L × W × H) |
| Packaging Method | 20 pcs in each master carton |

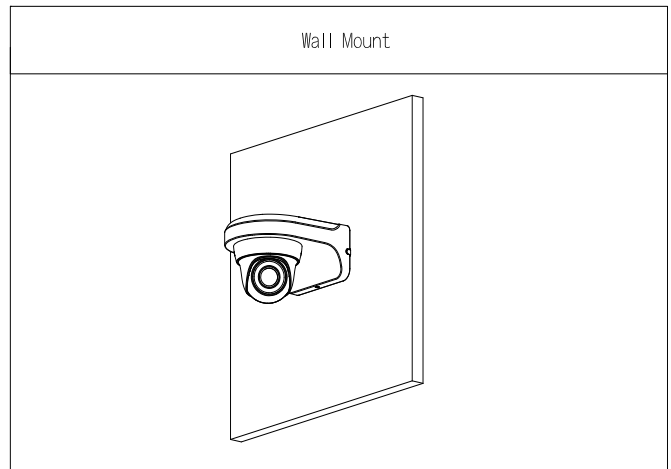
Environment

| | |
|-----------------------|--|
| Operating Temperature | -40°C to $+60^{\circ}\text{C}$ (-40°F to $+140^{\circ}\text{F}$) |
| Operating Humidity | < 90% (RH) |
| Storage Temperature | -40°C to $+60^{\circ}\text{C}$ (-40°F to $+140^{\circ}\text{F}$) |
| Storage Humidity | 10%–90% (RH) |

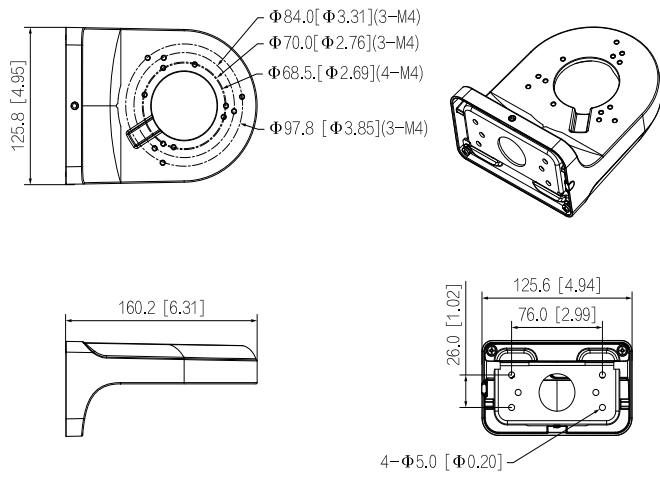
Ordering Information

| Type | Model | Description |
|--------------|--------------|--------------------|
| Camera Mount | DH-PFB205W-E | Wall Mount Bracket |

Installation



Dimensions (mm[inch])



Package Information

- Wall Mount Bracket *1
- M4x10 screws *4
- ST4x25 screws *4
- Plastic expansion bolt *4
- S3.0 wrench *1