

# DH-PFB206W

## Wall Mount Bracket



- Built of aluminum alloy and is cost-effective.
- Suitable for a variety of cameras and is elegant.



### Scene

It is ideal for mounting cameras, and works in temperatures ranging from  $-40\text{ }^{\circ}\text{C}$  to  $+60\text{ }^{\circ}\text{C}$  ( $-40\text{ }^{\circ}\text{F}$  to  $+140\text{ }^{\circ}\text{F}$ ) and in environments with relative humidity of less than 90%.

### Technical Specification

#### Structure

Material	Aluminum alloy
Dimensions	222.0 mm × 160.7 mm × 144.4 mm (8.66" × 6.33" × 5.68") (L × W × H)
Color	White
Net Weight	1.1 kg (2.42 lb)
Gross Weight	1.5 kg (3.31 lb)
Load Bearing	3.0 kg (6.61 lb)
Installation	Wall mount
Screw Thread Type	G 3/4
Applicable Camera	Please see "Accessory Selection"
Product Dimensions	219.0 mm × 218.0 mm × 275.0 mm (8.62" × 8.56" × 10.83") (L × W × H)
Packaging Dimensions	675.0 mm × 456.0 mm × 575.0 mm (26.57" × 17.95" × 22.64") (L × W × H)
Packaging Method	12 pcs in each master carton

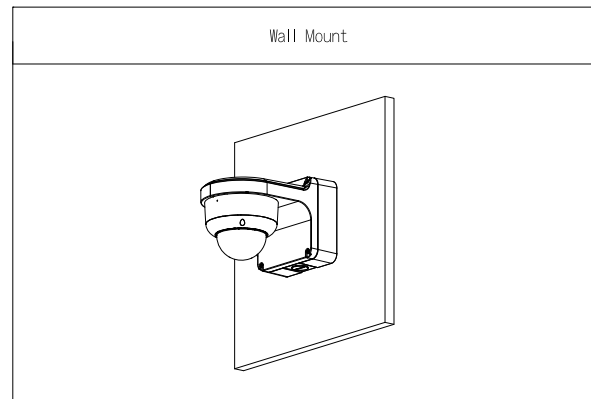
#### Environment

Operating Temperature	$-40\text{ }^{\circ}\text{C}$ to $+60\text{ }^{\circ}\text{C}$ ( $-40\text{ }^{\circ}\text{F}$ to $+140\text{ }^{\circ}\text{F}$ )
Operating Humidity	<90% (RH)
Storage Temperature	$-40\text{ }^{\circ}\text{C}$ to $+60\text{ }^{\circ}\text{C}$ ( $-40\text{ }^{\circ}\text{F}$ to $+140\text{ }^{\circ}\text{F}$ )
Storage Humidity	10%–90% (RH)

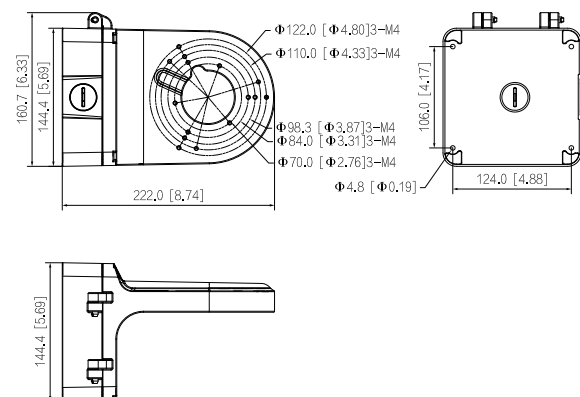
### Ordering Information

Type	Model	Description
Camera Mount	DH-PFB206W	Wall Mount Bracket

### Installation



### Dimensions (mm[inch])



### Package Information

- Wall Mount Bracket × 1
- M4×10 screws × 3
- ST4×25 screws × 4
- Plastic expansion bolt × 4
- S3.0 wrench × 1
- Water Joint × 1
- Mounting Sticker × 1