

REV	DESCRIPTION	SIGNATURE	DATE
0	ORIGIN		2021.01.11

TABLE A

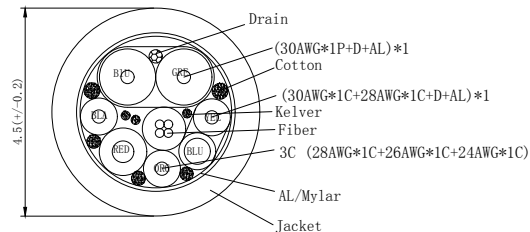
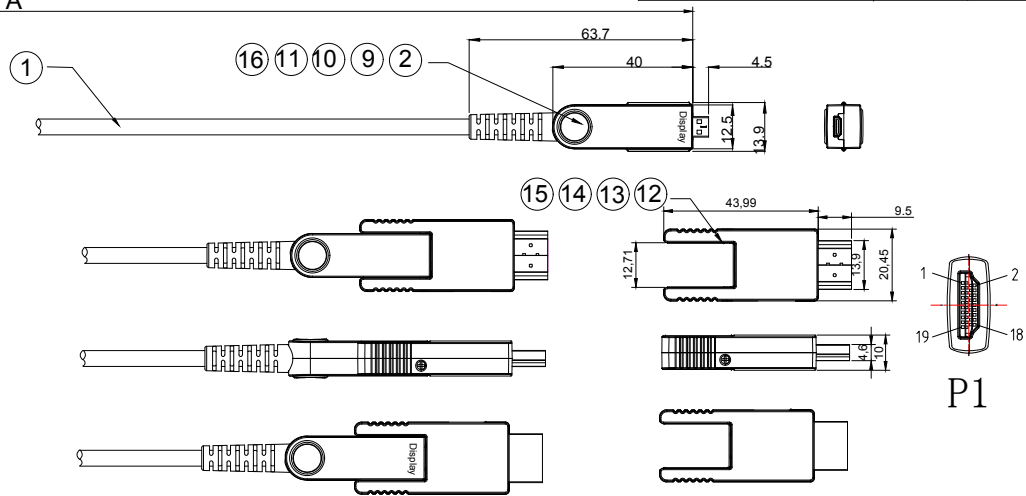
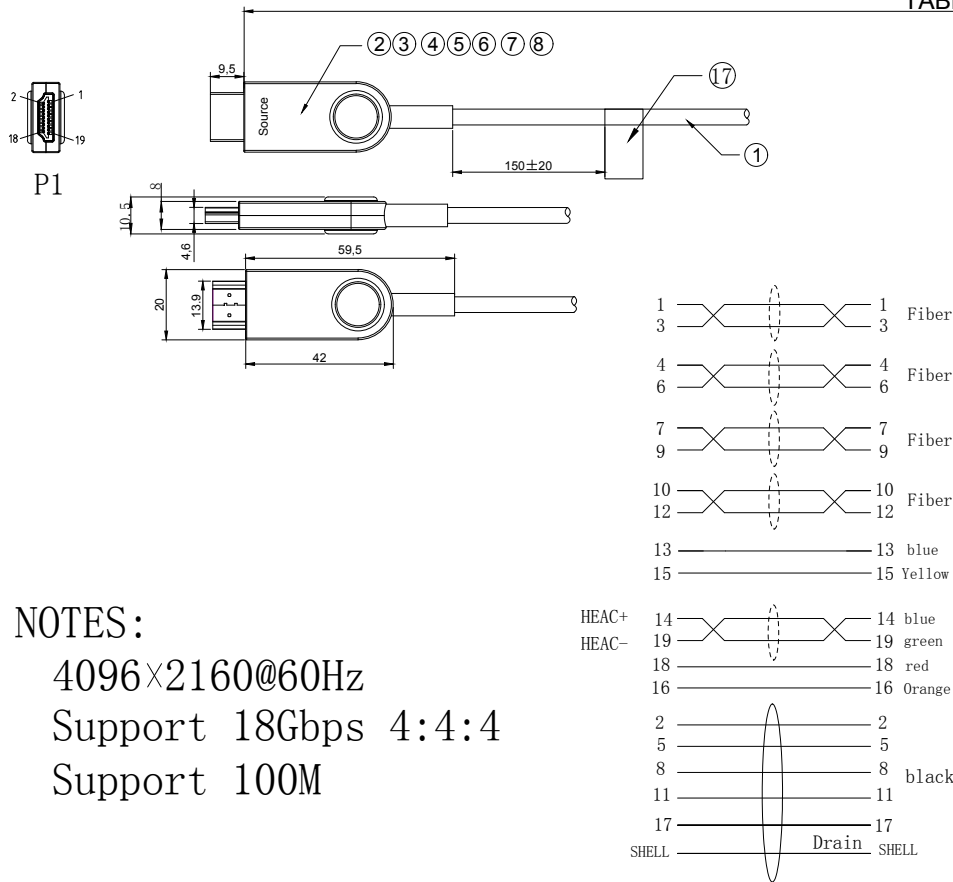


TABLE A

Item:	Length (mm)
AK4100	10000+/-200
AK4101	20000+/-250
AK4102	20000+/-300
AK4103	20000+/-350
AK4104	30000+/-400
AK4105	40000+/-500
AK4106	50000+/-1000
AK4107	60000+/-1000
AK4108	70000+/-1000
AK4109	80000+/-1000
AK4110	90000+/-1000
AK4111	100000+/-1000

NOTES:


4096x2160@60Hz  
Support 18Gbps 4:4:4  
Support 100M

ITEM	DESCRIPTION	QTY	UNIT	SPECIFICATIONS
10	HDMI D Male Shell(Upon) Black (Display)	1	Pcs	
9	HDMI D Male PCBA (Display)	1	Pcs	
8	Screw	2	Pcs	
7	Clip	1	Pcs	17 QR Code
6	SR Black	1	Pcs	16 Screw
5	HDMI A Male Shell(Upon) Black (Source)	1	Pcs	15 SR Black
4	HDMI A Male Shell(Bottom)Black(Source)	1	Pcs	14 HDMI A Male Adapter Shell(Upon)Black
3	HDMI A Male PCBA (Source)	1	Pcs	13 HDMI A Male Adapter Shell(Bottom)Black
2	HDMI A Mail Plug+Plated	2	Pcs	12 HDMI A Male Adapter PCBA (Display)
1	HDMI AOC (4 Fiber+7 Copper) Black PVC OD:4.5MM	11	m	TABLE A

TOLERANCES UNLESS OTHERWISE STATED
X. = ± 1
X.X = ± 0.25
X.XX = ± 0.1

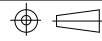
  

TOOLING DECIMALS ANGLES
X. ±0.3 ± 1°
X.X ±0.2 ± 0.5°
X.XX ±0.1 ± 0.5°



TYPE:HDMI 2.0 Active Optical Cable

DRAW:	PAPT NO:	
CKD:	CUSTOMER:	UNIT:
APP:	DWG NO:	REV:0

SHELL: 1/1  DATE: 2021.01.11