

Honeywell

HA35JCBHBA

35 series Bullet junction box

The 35 Series HA35JCBHBA Bullet junction box is compatible with the following Honeywell camera:

- HC35WB3R3
- HC35WB3R2
- HC35WB5R3
- HC35WB5R2
- HC35WB8R3
- HC35WB8R2



The following accessories are provided along with the package:



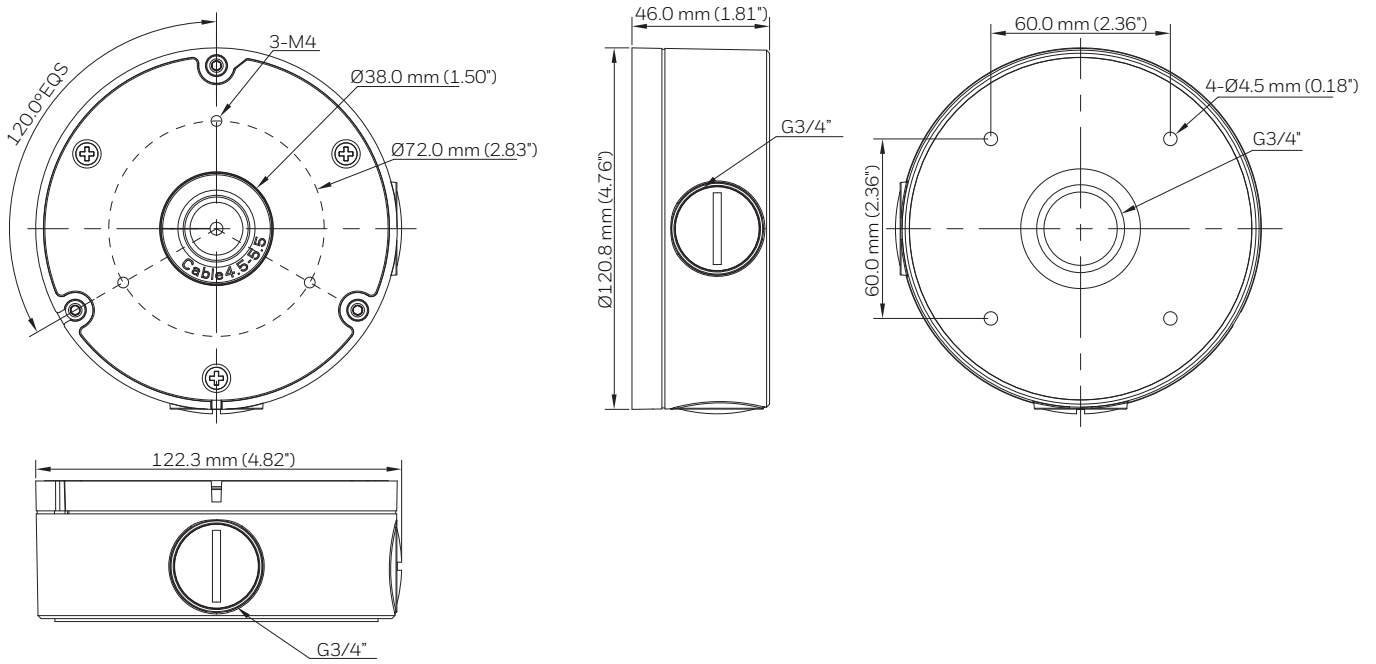
Specifications

PARAMETER	
Material	ADC12
Color	RAL 9003 (Signal White)
Dimensions	122.3 mm×Ø122.3 mm×46.0 mm (4.82"×Ø4.82"×1.81")
Weight	0.36 kg (0.79 lb)

Installation Notes

- The surface must be capable of supporting at least three times (3×) the total weight of the camera and the mount.
- Precautions for waterproof: Install the waterproof joint for camera network cable. Wind the duct tape for the power line.

Dimensions



Honeywell

buildings.honeywell.com/security
+44 (0)1163 500714 (United Kingdom only)
Document 3011-9075-001-Rev A-10/2022

© 2022 Honeywell International Inc. All rights reserved. No part of this publication may be reproduced by any means without written permission from Honeywell Video Systems. The information in this publication is believed to be accurate in all respects. However, Honeywell Video Systems cannot assume responsibility for any consequences resulting from the use thereof. The information contained herein is subject to change without notice. Revisions or new editions to this publication may be issued to incorporate such changes.