



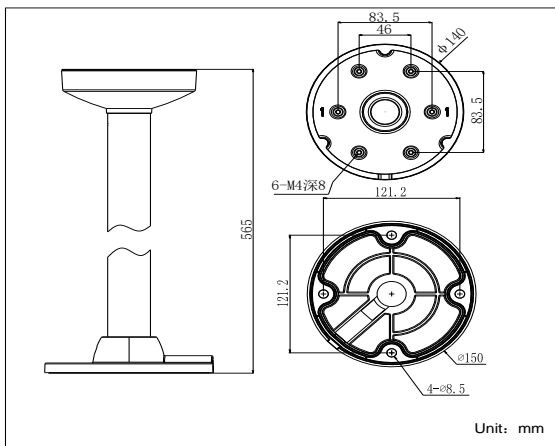
## DS-1271ZJ-140

Pendent Mounting Bracket for  
Dome Camera

### Features:

- Aluminum alloy material with surface spray treatment
- Waterproof design
- Cable hole on bracket makes the feature better
- Design of cap is for convenient wiring

### Dimension:



### Model Suitable:

DS-2CC51xxP(N)-VP, DS-2CC51xxP(N)-VPIR, DS-2CC51xxP(N)-VPIRH

### Order Model:

DS-1271ZJ-140

### Parameter:

Model	DS-1271ZJ-140
Parameters	Pendent Mounting Bracket for Dome Camera
Appearance	Hikvision White
Material	Aluminum Alloy
Dimension	Φ 150X565mm
Weight	1900g

### Notice:

- The bracket should be installed on flat wall
- The wall must be capable of supporting over 3 times as much as the total weight of the camera and the mount.
- The maximum load capacity of the bracket is 4.5KG