

## MEX50SW1

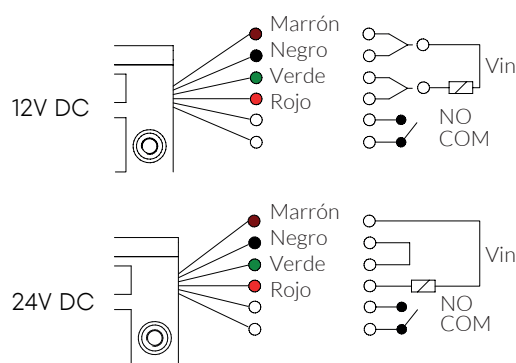
### Technical characteristics

Installation	Surface mounted
Break-in resistance (keeper's pressure)	50 daN
IP protection	No
Block width:	25,5 mm
Block depth:	37 mm
Block height:	80 mm
Counterplate width :	31 mm
Counterplate depth:	11 mm
Counterplate height:	70 mm

### Electrical characteristics

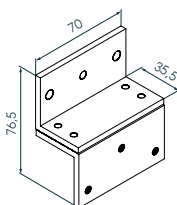
Voltage DC	12/24 V DC
Consumption DC	12 V 0,12 A
	24 V 0,06 A
Continuous duty DC	ED 100%
Door status	Si
LED	No
Timer	No

### Electric connection scheme



### Types of installation

MEXZ5



MEXU5

