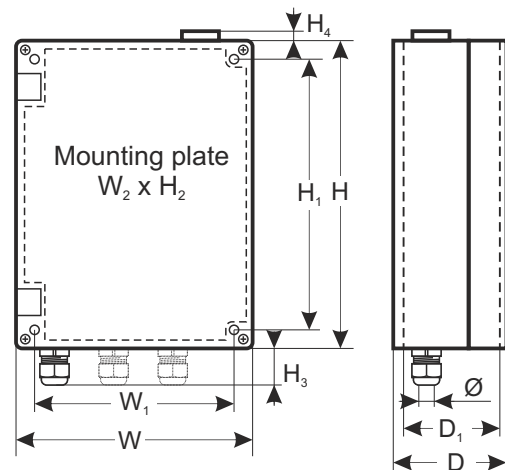
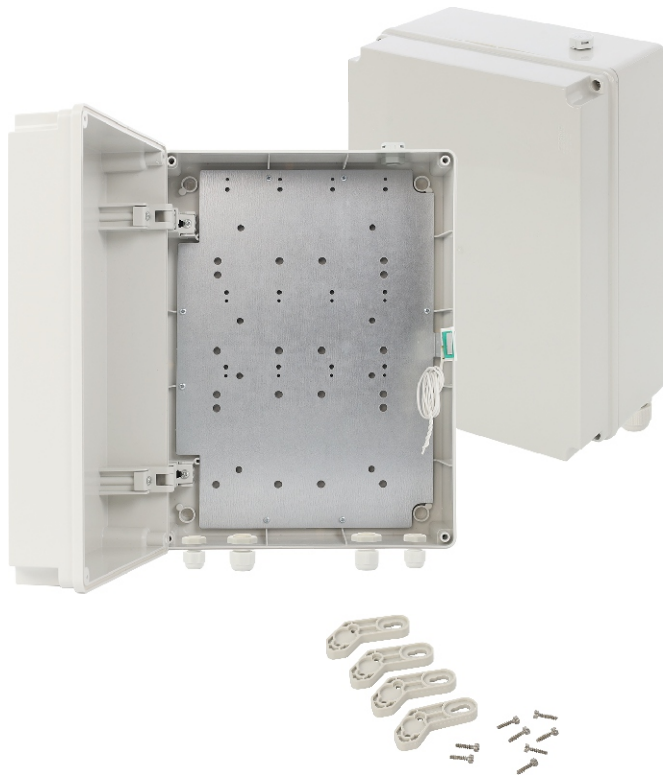


CODE: **AWO022 v1.0/I**  
 NAME: **Casing 17/Herm/Osec**

EN



#### MECHANICAL PARAMETERS

<b>External dimensions of enclosure</b>	W=225, H=308, D=130 [±2 mm]
<b>Mounting dimensions</b>	W <sub>1</sub> =185,4; H <sub>1</sub> =265,4; D <sub>1</sub> =114 [±2mm]
<b>Mounting plate dimensions</b>	W <sub>2</sub> =204; H <sub>2</sub> =288 [±2mm]
<b>Cable gland height</b>	H <sub>3</sub> =25 [± 2mm]
<b>Height of pressure compensator</b>	H <sub>4</sub> =9 mm
<b>Number of cable glands / Ø cables Φ</b>	2 pc. / 2 - 6 mm + 2 pc. / 4 - 8 mm
<b>Material</b>	ABS enclosure
<b>Closing</b>	Screwed: screw × 4 (at front)
<b>Tamper switch protection</b>	1 x microswitch: enclosure opening, 0,5 A; 50 V DC max. NC - normally closed contacts
<b>Destination</b>	Inside
<b>Protection grade EN60529</b>	IP56
<b>Operating conditions</b>	-10°C ÷ +40°C, relative humidity 20%...90%, without condensation
<b>Net/gross weight</b>	1,42 / 1,6 [kg]
<b>Notes</b>	A set includes: - surface mounting mounting brackets – 4 pc. - pressure compensation – 1 pc.