

# STI Clock & Bell Cages



STI-9636

## PRODUCT OVERVIEW

These steel cages are designed to protect clocks and bell boxes from vandalism and misuse, for internal and external use. Constructed from plastic coated, heavy-duty galvanised steel rod, these cages can cope with the severest of abuse from vandalism and accidental damage. They are plastic coated for durability and use outdoors. All are backed by a three year guarantee against breakage in normal use.

## HOW IT WORKS

A simple 4 fixing point installation makes them easy to mount, and removal is simple for servicing the protected device. Full fixing kit is provided, but where additional security is required, tamper resistant screws and matching bits are also available.

## KEY FEATURES

### General Information

- Protects clocks and bells from vandalism and misuse.
- Three year guarantee against breakage in normal use.

### Design

- These steel cages are designed to protect clocks or bells from vandalism and misuse.
- Designed so there is no interference with the operation of the protected device.

### Construction

- Constructed from plastic coated, heavy-duty galvanised steel rod.

### Installation

- A simple 4 fixing point installation can retrofit over existing devices.
- Fast and easy installation.
- Simple removal for servicing of devices.

### Options

- Where additional security is required, tamper resistant screws and matching bits are available.

# STI Clock & Bell Cages

Dimensions and Technical Information

## MODELS AVAILABLE

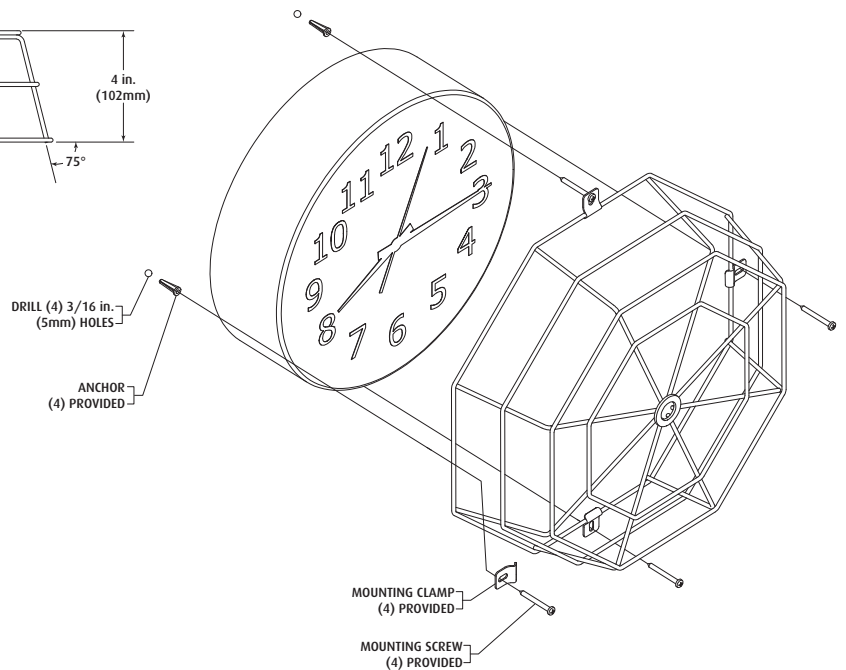
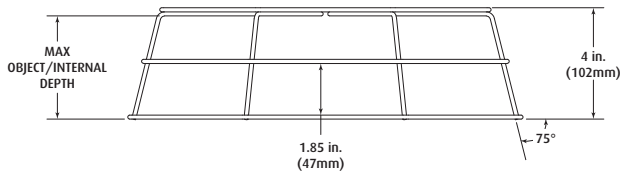
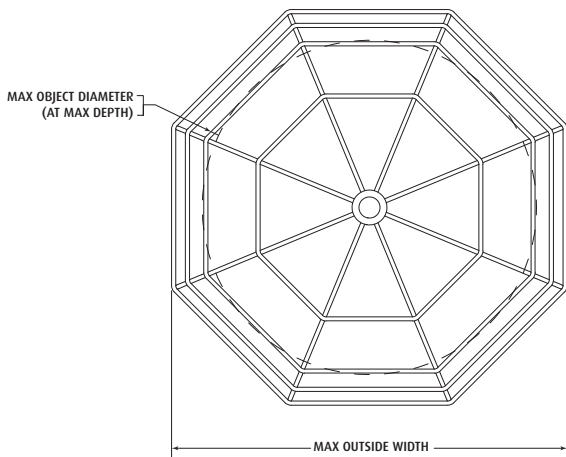
- STI-9635** Clock & Bell Box Cage - Small
- STI-9636** Clock & Bell Box Cage - Medium
- STI-9637** Clock & Bell Box Cage - Large

### Accessories:

- KIT-82** Tamper resistant screws, #8 x 1 1/2" snake eye (qty 4)
- KIT-19038** Tamper bit for tamper resistant screws (5/16")

Product Code	Internal Diameter (at max depth)	External Diameter	Internal Depth
<b>STI-9631</b>	305mm	362mm	93mm
<b>STI-9632</b>	457mm	527mm	93mm
<b>STI-9633</b>	610mm	679mm	93mm

\*NB Cage sizes may vary from -5 to +5 millimetres



**Safety Technology International**

Taylor House  
34 Sherwood Road  
Bromsgrove  
Worcestershire  
B60 3DR, England

Tel: +44 (0)1527 520 999  
info@sti-emea.com  
www.sti-emea.com

2306 Airport Road  
Waterford, Michigan  
48327, USA

Tel: 248-673-9898  
info@sti-usa.com  
www.sti-usa.com