

# DH-PFB5310C

## In-ceiling Mount Bracket



- The screws are embedded in the frame and the camera neatly installs into its bracket without hindering its visual range.
- Suitable for 4A recessed ceiling brackets, it is quick and easy to install.
- Easy to disassemble and maintain.
- Safe and reliable, it includes an anti-drop rope that provides the camera with added protection.



### System Overview

Dahua Mounting Bracket works with front-end services, supporting installation methods such as wall mount, pole mount, corner mount and in-ceiling mount. Select brackets are designed to suit complex scenes, making them convenient to use in environments with high temperatures, humidity, frequent vibrations, and in locations that are highly corrosive. These highly reliable brackets are easy to install and use.

### Scene

Ideal for mounting cameras, and works in temperatures ranging from  $-40\text{ }^{\circ}\text{C}$  to  $+60\text{ }^{\circ}\text{C}$  ( $-40\text{ }^{\circ}\text{F}$  to  $+140\text{ }^{\circ}\text{F}$ ) and in environments with a relative humidity of less than 90%.

### Technical Specification

#### Structure

Casing Material	SECC, PC
Product Dimensions	$\Phi 238.0\text{ mm} \times 78.0\text{ mm}$ ( $\Phi 9.37'' \times 3.07''$ )
Appearance Color	White
Net Weight	0.35 kg (0.77 lb)
Gross Weight	0.62 kg (1.37 lb)
Load Bearing	3.0 kg (6.61 lb)
Installation	In-ceiling Mount
Applicable Model	Please see "Camera Accessories Selection"
Packaging Dimensions	$286.0\text{ mm} \times 286.0\text{ mm} \times 120.0\text{ mm}$ ( $11.26'' \times 11.26'' \times 4.72''$ ) (L x W x H)

#### Environment

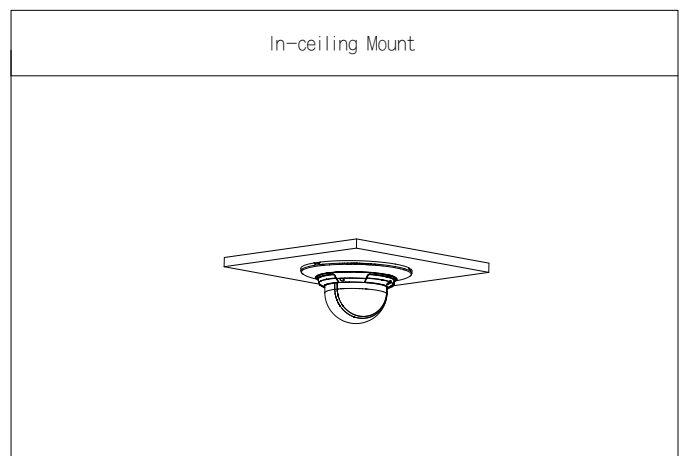
Operating Temperature	$-40\text{ }^{\circ}\text{C}$ to $+60\text{ }^{\circ}\text{C}$ ( $-40\text{ }^{\circ}\text{F}$ to $+140\text{ }^{\circ}\text{F}$ )
Operating Humidity	< 90% (RH)

Storage Temperature	$-40\text{ }^{\circ}\text{C}$ to $+60\text{ }^{\circ}\text{C}$ ( $-40\text{ }^{\circ}\text{F}$ to $+140\text{ }^{\circ}\text{F}$ )
Storage Humidity	10%–90% (RH)
Anti-corrosion Level	Basic Protection

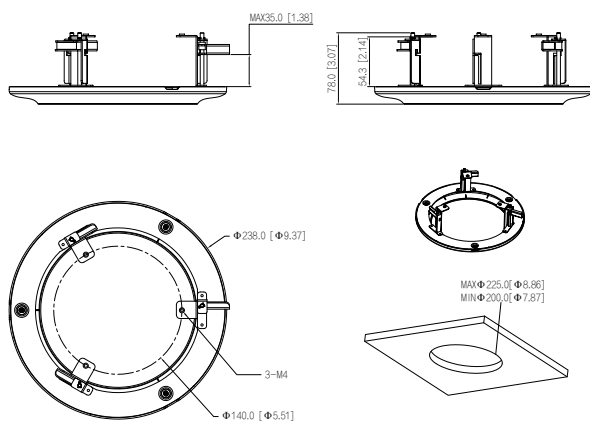
### Ordering Information

Type	Model	Description
Camera Mount	DH-PFB5310C	In-ceiling Mount Bracket
	PFB5310C	In-ceiling Mount Bracket

### Installation



## Dimensions (mm[inch])



## Package Information

- In-ceiling mount bracket × 1
- M4x10 screw × 4
- Anti-drop rope × 1
- Installation guide × 1