

70 SERIES HC70WC5R3



5MP IR Corner Camera

5 YEAR WARRANTY ONVIF® | SGT

OPERATIONAL	
Video Standard	NTSC/PAL
Scanning System	Progressive
Image Sensor	Sony IMX335, 1/2.8" CMOS
Sensor Size (H x V)	5.18 x 3.89 mm
Number of Pixels (H x V)	5 MP (2592 X 1944)
Minimum Illumination (Color / BW)	Color: 0.11 Lux @ F2.3; B/W: 0.01 Lux @ F2.3
S / N Ratio	>50dB
Electronic Shutter Speed	Manual: 1/2-1/10,000s
IR / White LED Distance&Control	Built-in IR Illuminator: Up to 6 meters (radius), Invisible (940nm LED) Built-in White Illuminator: Up to 2 meters (radius). (ranges achieved when camera mounted at 3 meter height). Illuminators Control: IR & White combinations up to 802.3af power budget.
Removable IR-Cut Filter	Yes
Day / Night	Auto/Day/Night/Schedule
Backlight Compensation	WDR, HLC
White Balance	Auto/Fixed Current/Manual
Gain Control	0-100%
Wide Dynamic Range	130 dB
Noise Reduction	3D DNR
Lens	Leading E3255C-R3, F2.3, M1.2, f2.3 mm
Angle Of View (H x V)	Horizontal: 128°, Vertical: 95°
Privacy Masking	Off / On (5 Areas)
Defog	Supported
Encryption Chipset	Built-in FIPS 140-2 certified encryption Chipset
Local Storage	1 x microSDHC / SDXC slot, support up to 1TB
Alarm Inputs / Outputs	1 In / 1 Relay out
VIDEO	
Video Compression	H.265 HEVC / H.264 / MJPEG, Smart Codec**
Resolution	2592x1944(5M), 2048x1536(3M), 1920x1080(2M), 1280x960, 1280x720(1M), 800x600, 640x480, 640x360, 320x240
Number of Video Streams	3
Frame Rate Main Stream	30fps(5M mode), 60fps(2M mode)
Frame Rate Second Stream	30fps(5M mode), 60fps(2M mode)
Frame Rate Third Stream	30fps(5M mode), 60fps(2M mode)
Bit Rate	16K - 80Mbps
Image Correction	Fisheye-view, Lens Distortion Correction
AUDIO	
Audio Compression	G.711a/ G.711Mu/G.726
Audio Stream	Full duplex, simplex
Audio Interface	Line In/Out, Built-in Microphone, Built-in Speaker, Built-in Echo Cancellation Algorithm

NETWORK	
Ethernet	IEEE 802.3, 10/100 Base-T/TX, auto sensing
Supported Web Browsers	Mozilla Firefox, Chrome, Microsoft Edge
Supported OS	Microsoft Windows 10, Linux Ubuntu 18 and above
Protocols*	IPv4, IPv6, TCP/IP, HTTP, HTTPS, UPnP, RTSP/RTP/RTCP, IGMP/Multicast,SMTP, DHCP, NTP, DNS, DDNS, CoS, QoS, SNMP, 802.1X, UDP, ICMP, ARP, TLS
Interoperability	ONVIF Profile G/S/T
Maximum Users Access	10 Users
Security	User account and password protection, HTTPS, IP Filter, Digest authentication, TLS1.2 only, Stream encryption, AES128/256, SSH/Telnet closed, PCIDSS compliance, FIPS 140-2 certified Chipset Built-In
Languages Supported	English, French, German, Italian, Japanese, Portuguese, Russian, Spanish, Traditional Chinese
EVENTS / ANALYTICS	
Smart Video Analytics (Built-in)	Intrusion Detection, Loiter Detection, Line crossing, Face Detection, Object left unattended, Object Removed, Motion Detection, Tampering detection
Event Type	Video Analytics, Periodically, Alarm input, System boot, Recording notification
Event Linkage	Event notification using digital output, HTTP, Email and MicroSD card
Region Of Interest	6
ELECTRICAL	
Power Supply	AC24V, DC 12V, PoE (IEEE 802.3af, Class 3)
Power Consumption (Max)	12.95W
MECHANICAL	
Dimensions (D x D x H)	Approx. 205.0 mm x 200.0 mm x 58.3 mm (8.07" x 7.87" x 2.29")
Product Weight	Approx. 1.1 kg (2.43lb)
Package Weight	Approx. 1.5 kg (3.31lb)
Body Material	Aluminum die-casting
Color	RAL 7047
Anti-ligature Mount Design	When mounted appropriately, design minimizes potential risks related to ligature attachment.

* Some development may be required in specific user cases to support some of these protocols in the field as they mature over time.

**Smart Codec saves up to 50 percent on bandwidth and storage compared to standard H.264/H.265 (scene dependant)

Honeywell

70 SERIES 5MP IR CORNER CAMERA

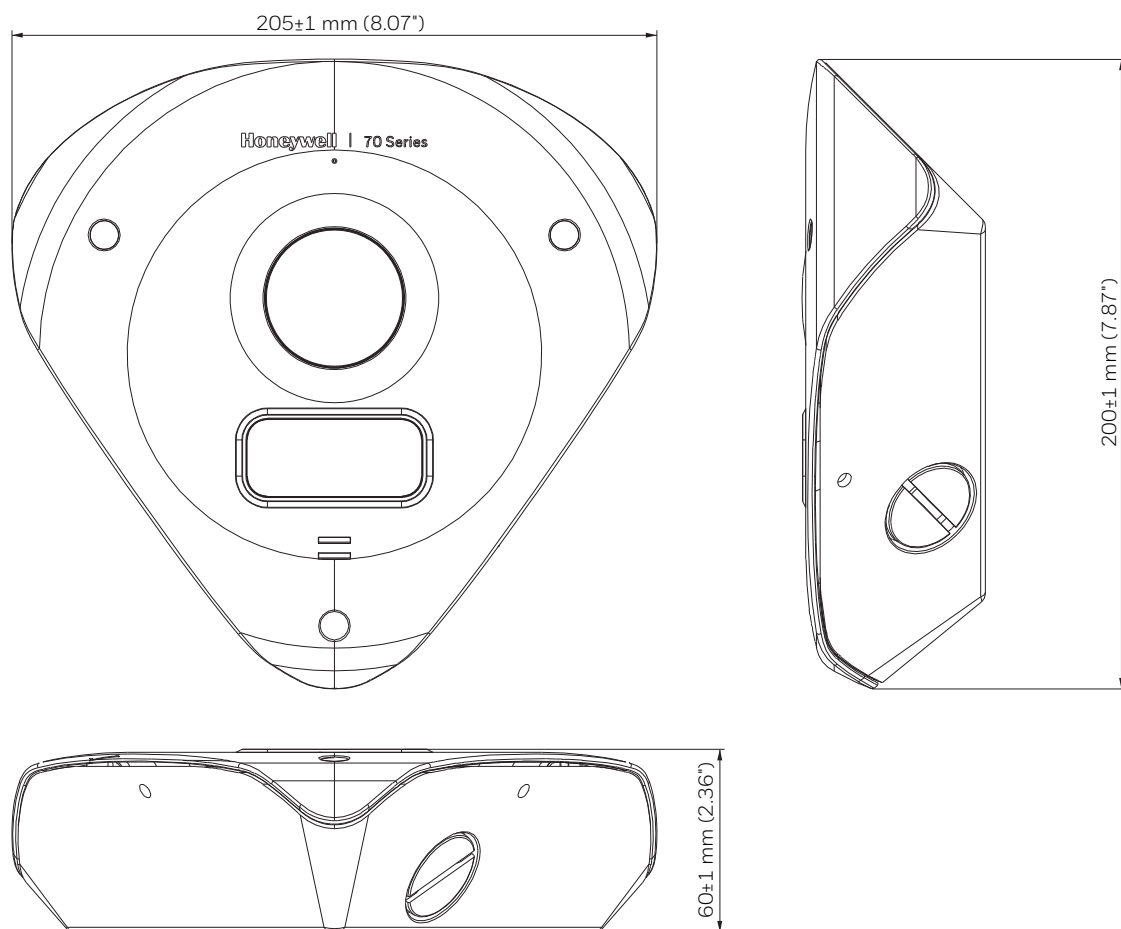
ENVIRONMENTAL

Operating Temperature	-10°C to 50 °C (14°F to 122°F)
Storage Temperature	-40°C to 60 °C (-40°F to 140°F)
Relative Humidity	90%, Non-condensing
Ingress Protection	IP66/NEMA 4X
Impact Resistance	IK10+
Gore-Vent	Support (for speaker)

REGULATORY

Emissions	CE(EN 55032, EN 61000-3-2, EN 61000-3-3, EN 61000-6-3), FCC PART 15, IECS-003, Comply with RCM and UKCA
Immunity	CE(EN 50130-4, EN 55035), Comply with RCM and UKCA
Safety	UL LISTED TO UL/CSA 62368-1, CE(EN 62368-1), Comply with RCM and UKCA
RoHS	EN 63000, UAE(Cabinet Decree No.10 of 2017)
Country of Origin	Taiwan

DIMENSIONS



70 SERIES 5MP IR CORNER CAMERA

RECOMMENDED ACCESSORIES

SYSTEM COMPATIBILITY

Pro-Watch NVR	Up to 256 IP channels RAID5/6 enterprise NVR
MAXPRO NVR PE	Up to 128 IP channels RAID5/6 enterprise NVR
MAXPRO NVR SE	Up to 64 IP channels system NVR
MAXPRO NVR XE	Up to 16 IP channels system NVR
MAXPRO NVR software	Up to 128 IP channels recording software
ADPRO NVR fasttrace 2E	Up to 32 IP channels with up to 32 VA channels NVRs
ADPRO NVR iFT-E	Up to 32 IP channels with up to 32 VA channels NVRs
ADPRO NVR iFT	Up to 32 IP channels or 16 IP channels with up to 16 VA channels NVRs
ADPRO NVR eFT	Up to 16 IP channels or 8 IP channels with up to 8 VA channels NVRs
ADPRO NVR iFT gateway	4 IP channels + 4 VA channels
Honeywell DVM	Supported with Honeywell DVM R710
30 Series NVR	Integration with 30 Series NVR
35 Series NVR	Integration with 35 Series NVR

ORDERING

ORDERING

HC70WC5R3	5MP IR Corner Camera, WDR, 1/2.8" CMOS, H.265, AI Wide-angle IR IK10+
-----------	---

For more information

www.security.honeywell.com/uk

www.security.honeywell.com/me

Honeywell Commercial Security
Emaar Business Park, Sheikh Zayed
Road Building No. 2, 2nd
floor, 201 Post
Office Box 232362 Dubai,
United Arab
Emirates Tel: +971 4 450 5800

Honeywell Commercial Security

Building 5, Carlton Park
King Edward Avenue
Narborough
Leicester
LE19 0LF
Tel: +44(0)1163 500714
www.honeywell.com



ONVIF and the ONVIF logo are trademarks of ONVIF Inc.
HEVC Advance logo is a trademark of HEVC Advance
Honeywell reserves the right, without notification, to
make changes in product design or specifications.

HSV-HC70WC5R3-01-UK(1023)DS-Y
© 2023 Honeywell International Inc.

Honeywell