

DHI-SSD-V800

2.5 inch SATA III Surveillance SSD



- Adopts high-quality wafer level chip.
- Provides better read and write performance with TRIM and NCQ.
- Low power consumption management.
- Safe and reliable data transmission.
- With stable read and write performance, it is suitable for 24/7 recording and storage of Dahua XVR & NVR without frame loss.

System Overview

As a new generation of 2.5" SSD product, V800 PLUS series SSD adopts high-quality 3D TLC NAND and professional controller, and is widely used in surveillance system, ideally compatible with Dahua XVR & NVR product. V800 PLUS series SSD provides safe and reliable data transmission and effectively deals with various special conditions in surveillance such as data flow and full coverage.

Scene

It is suitable for Dahua XVR & NVR devices with 2.5" SATA ports. (Pls refer to the compatibility list for compatible products).

Technical Specification

Technical

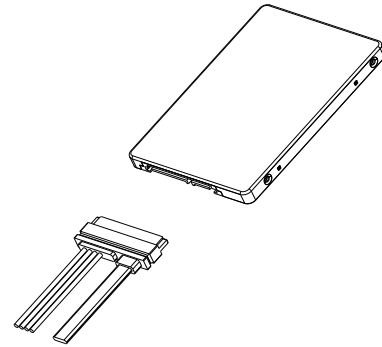
Product Model	DHI-SSD-V800S960G
Capacity ¹	960 GB
Form Factor	2.5 inch
Port	SATAIII 6Gb/s
Net Weight	Max 40 g (0.09 lb)
Product Dimensions	99.68 mm × 69.68 mm × 6.80 mm (3.92" × 2.74" × 0.27")
Packaging Dimensions	140.50 mm × 105.50 mm × 15.50 mm (5.53" × 4.15" × 0.61")
Component	3D TLC NAND
Power Consumption ²	1500 mW (max) 750 mW (Avg) 430 mW (idle)
S.M.A.R.T	Yes
TRIM	Yes

Garbage Collection	Yes
Sequential Read ²	Up to 480 MB/s
Sequential Write ²	Up to 420 MB/s
4K Random Read ²	Up to 61,000
4K Random Write ²	Up to 56,000
MTBF	1,500,000 hours
Operating Temperature	0°C to +70°C (+32°F to +158°F)
Storage Temperature	-40°C to +85°C (-40°F to +185°F)
Operating Humidity	5%–95% (non-condensing)
Vibration Resistance	10–1000 Hz, 2.78G
TBW	930 TB
Warranty ³	3-year limited warranty
Reference Information	<p>1. Capacity calculation: 1GB = 1 billion bytes (IDEMA). Actual available capacity might be reduced (due to formatting, partition, operating system applications, or other necessary usage).</p> <p>2. The speed data comes from Zhejiang Huayixin Technology Co., Ltd. Lab. System configuration of performance test: Intel Z390 Chipset, Intel Core i9-9900KF@3.6GHz, 16GB DDR4; operating system-Windows 10 x64; testing tool-CrystalDiskMark 6.0.0.</p> <p>3. Warranty period or maximum write amount (TBW), whichever comes first.</p>

Ordering Information

Type	Model	Description
V800 PLUS SERIES	DHI-SSD-V800S960G	Dahua 2.5 inch SATA Solid State Drive 960GB Dramless 0~70°C 30μ"VIDEO GRADE

Installation



Dimensions (mm[inch])

