

CODE: **PSC12010** v2.0/XII  
 NAME: **PSC 12V/1A/55MM power supply**

EN\*

### Features:

- power output 1 A/12 V DC\*
- universal supply voltage range ~100 - 240 V
- high efficiency 86%
- standby power <0,1 W
- efficiency class: VI
- IP67 enclosure
- protections:
  - short-circuit protection SCP
  - surge protection (AC input)
  - overload protection OLP
- warranty – 2 years from production date



### DESCRIPTION

The PSU is intended for ~230 V mains supply to CCTV cameras that require stabilised voltage of **12 V DC**. The unit is protected against a short circuit and an overload and a surge.

### SPECIFICATIONS

Supply voltage	~100 - 240 V; 50/60 Hz
Current consumption	0,3 A
Supply power	12 W max.
Efficiency (average)	86%
Efficiency (10% load)	81%
Output voltage	12 V DC
Output current $t_{AMB} < 30^{\circ}C$	<b>1 A instantaneous current - refer to chart 1.</b>
Output current $t_{AMB} = 40^{\circ}C$	<b>0,7 A - refer to chart 1.</b>
Ripple voltage	100 mV p-p max.
Short-circuit protection SCP	electronic, automatic recovery
Overload protection OLP	105-150% of power supply, automatic recovery
IP protection class	IP67
Operating conditions	Temperature: $0^{\circ}C \div +40^{\circ}C$ , relative humidity 20%...90%, without condensation
Dimensions (LxWxH)	50 x 48 x 25 [mm]
Net/gross weight	0,09 / 0,125 [kg]
Protection class EN 62368-1	II (second)
Length of DC cable	0,5 m + plug DC5,5/2,1 female
Length of AC cable	0,3 m
Storage temperature	-20 $^{\circ}C$ ...+60 $^{\circ}C$

\* In order to extend the life of the power supply, the load current of 0,7 A is recommended.

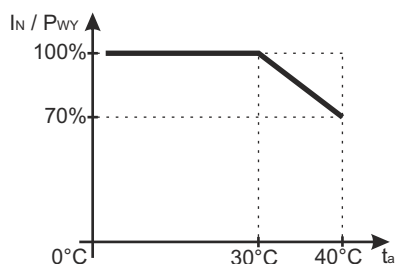


Chart 1.  
Relation between output current and ambient temperature (instantaneous load).

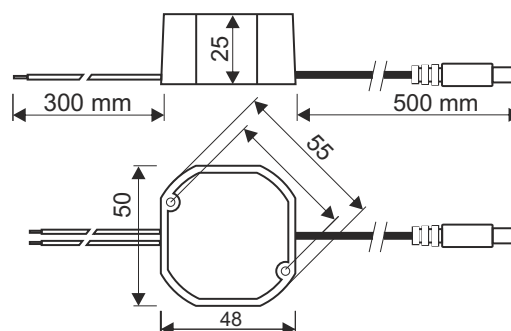
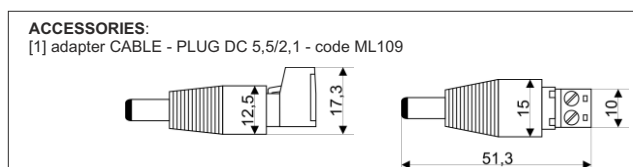


Fig.1 Mechanical view and dimensions of the PSU.

### ACCESSORIES



Available accessories for the power supplies are:  
fuse blocks and cable adapters.  
For details – visit [www.pulsar.pl](http://www.pulsar.pl)

\* Refer to graph 1

