

35 SERIES

HC35WF6R1

HC35WFCR1



5 YEAR
WARRANTY

ONVIF® | **SGTM**

6 MP /12 MP Fisheye Cameras

OPERATIONAL	
RAM	2 x 8 Gigabits
Flash	2 Gigabits
Video Standard	NTSC/PAL
Scanning System	Progressive
Image Sensor	HC35WF6R1: 1/2.8" CMOS HC35WFCR1: 1/1.7" 12MP STARVIS™ CMOS
Sensor Size (H x V)	HC35WF6R1: 5.216 mm x 3.968 mm HC35WFCR1: 7.711 mm x 5.665 mm
Number of Pixels (H x V)	HC35WF6R1: 6 MP (2560 x 2560) HC35WFCR1: 12 MP (4000 x 3000)
Minimum Illumination (Color/BW)	HC35WF6R1: Color: 0.008 Lux @ (F2.0, 30 IRE) B/W: 0 Lux @ (IR LED ON) HC35WFCR1: Color: 0.01 Lux @ (F2.4, 30 IRE), B/W: 0 Lux @ (IR LED ON)
S/N Ratio	50 dB
Electronic Shutter Speed	HC35WF6R1: 1/5 to 1/100,000 s HC35WFCR1: 1/5 to 1/50,000 s
IR Distance	Up to 20 m
IR Light Control	Smart IR (Auto/Manual)/OFF
IR Light Number	6
Day/Night	Auto/Day/Night/Time
Backlight Compensation	HC35WF6R1: WDR,BLC,HLC HC35WFCR1: BLC,HLC
White Balance	Auto/Tungsten/ Fluorescent/ Daylight/Shadow/Manual
Gain Control	0 ~ 100 %
Wide Dynamic Range	HC35WF6R1: Up to 120 dB HC35WFCR1: DWDR
Noise Reduction	2D/3D DNR
Lens	HC35WF6R1: 1.22 mm, Fixed Iris, F2.0 HC35WFCR1: 1.8 mm, Fixed Iris, F2.4
Angle of View (H x V)	180°
Privacy Masking	Off / On (4 Areas)
Defog	Supported
Encryption Chipset	Supported
Local Storage	Micro SD (up to 1TB)
Alarm Inputs/Outputs	1 Ch Input, 1 Ch Output

VIDEO			
Video Compression	H.265 HEVC/H.264/MJPEG, Smart Codec		
Resolution HC35WF6R1	One-Channel*	PAL	NTSC
	Fisheye View	Stream 1 2560 x 2560, 2048 x 2048, 1280 x 1280, 1280 x 960 @25fps Stream 2 704 x 576, 640 x 640, 480 x 480 @25fps Stream 3 1920 x 1080, 1280 x 1280, 704 x 576, 640 x 640, 480 x 480 @25fps	Stream 1 2560 x 2560, 2048 x 2048, 1280 x 960 @30fps Stream 2 704 x 480, 640 x 640, 480 x 480 @30fps Stream 3 1920 x 1080, 1280 x 1280, 704 x 480, 640 x 640, 480 x 480 @30fps
	Single Panorama View	Stream 1 2560 x 640, 1920 x 480, 1280 x 960 @25fps Stream 2 832 x 208, 704 x 576 @25fps Stream 3 1920 x 1080, 832 x 208, 704 x 576 @25fps	Stream 1 2560 x 640, 1920 x 480, 1280 x 960 @30fps Stream 2 832 x 208, 704 x 480 @30fps Stream 3 1920 x 1080, 832 x 208, 704 x 480 @30fps
	Double Panorama View	Stream 1 2560 x 2560, 2560 x 1280, 1920 x 960, 1280 x 960 @25fps Stream 2 640 x 640, 704 x 576 @25fps Stream 3 1920 x 1080, 640 x 640, 704 x 576 @25fps	Stream 1 2560 x 2560, 2560 x 1280, 1920 x 960, 1280 x 960 @30fps Stream 2 640 x 640, 704 x 480 @30fps Stream 3 1920 x 1080, 640 x 640, 704 x 480 @30fps
	4PTZ View	Stream 1 2048 x 1536, 1920 x 1440, 1280 x 960 @25fps Stream 2 640 x 480, 704 x 576, 320 x 240 @25fps Stream 3 1920 x 1080, 640 x 480, 704 x 576, 320 x 240 @25fps	Stream 1 2048 x 1536, 1920 x 1440, 1280 x 960 @30fps Stream 2 640 x 480, 704 x 480, 320 x 240 @30fps Stream 3 1920 x 1080, 640 x 480, 704 x 480, 320 x 240 @30fps
	Fisheye + 3PTZ View	Stream 1 2048 x 1536, 1920 x 1440, 1280 x 960 @25fps Stream 2 640 x 480, 704 x 576, 320 x 240 @25fps Stream 3 1920 x 1080, 640 x 480, 704 x 576, 320 x 240 @25fps	Stream 1 2048 x 1536, 1920 x 1440, 1280 x 960 @30fps Stream 2 640 x 480, 704 x 480, 320 x 240 @30fps Stream 3 1920 x 1080, 640 x 480, 704 x 480, 320 x 240 @30fps
	Multi-Channel	PAL	NTSC
	4PTZ View: Fisheye + 3PTZ View	Stream 1 1520 x 1520, 960 x 960, 720 x 720, 640 x 640, 1280 x 960 @25fps Stream 2 640 x 640, 704 x 576 @25fps Stream 3 1920 x 1080, 640 x 640 @25fps	Stream 1 1520 x 1520, 960 x 960, 720 x 720, 640 x 640, 1280 x 960 @30fps Stream 2 640 x 640, 704 x 480 @30fps Stream 3 1920 x 1080, 640 x 640 @30fps

* One channel mode supports max 60fps when WDR off.

Honeywell

35 SERIES 6 MP /12 MP FISHEYE CAMERAS

VIDEO			
	One-Channel	PAL	NTSC
Resolution HC35WFCR1	Fisheye View	Stream 1 4000 x 3000, 3000 x 3000, 2560 x 2560, 1280 x 960 @25fps Stream 2 704 x 576, 640 x 640, 480 x 480 @25fps	Stream 1 4000 x 3000, 3000 x 3000, 2560 x 2560, 1280 x 960 @25fps Stream 2 704 x 480, 640 x 640, 480 x 480 @25fps
	Single Panorama View	Stream 1 3000 x 752, 2560 x 640, 1920 x 480, 1280 x 960 @25fps Stream 2 832 x 208, 704 x 576 @25fps	Stream 1 3000 x 752, 2560 x 640, 1920 x 480, 1280 x 960 @25fps Stream 2 832 x 208, 704 x 480 @25fps
	Double Panorama View	Stream 1 4000 x 2000, 3000 x 3000, 2560 x 1280, 1920 x 960, 1280 x 960 @25fps Stream 2 640 x 640, 704 x 576 @25fps	Stream 1 4000 x 2000, 3000 x 3000, 2560 x 1280, 1920 x 960, 1280 x 960 @25fps Stream 2 640 x 640, 704 x 480 @25fps
	4PTZ View	Stream 1 4000 x 3000, 2048 x 1536, 1920 x 1440, 1280 x 960 @25fps Stream 2 640 x 480, 704 x 576, 320 x 240 @25fps	Stream 1 4000 x 3000, 2048 x 1536, 1920 x 1440, 1280 x 960 @25fps Stream 2 640 x 480, 704 x 480, 320 x 240 @25fps
	Fisheye + 3PTZ View	Stream 1 4000 x 3000, 2048 x 1536, 1920 x 1440, 1280 x 960 @25fps Stream 2 640 x 480, 704 x 576, 320 x 240 @25fps	Stream 1 4000 x 3000, 2048 x 1536, 1920 x 1440, 1280 x 960 @25fps Stream 2 640 x 480, 704 x 480, 320 x 240 @25fps
	Multi-Channel	PAL	NTSC
	4PTZ View; Fisheye + 3PTZ View	Stream 1 1520 x 1520, 1280 x 960, 960 x 960, 720 x 720, 640 x 640 @25fps Stream 2 704 x 576, 640 x 640, 320 x 240 @25fps	Stream 1 1520 x 1520, 1280 x 960, 960 x 960, 720 x 720, 640 x 640 @25fps Stream 2 704 x 480, 640 x 640, 320 x 240 @25fps
Number of Video Streams	HC35WF6R1: 3 (2 for encryption) HC35WFCR1: 2		
Frame Rate Main Stream	HC35WF6R1: MAX 60fps (WDR off) 15fps for encryption under HTTPS HC35WFCR1: MAX 25fps@12MP 15fps for encryption under HTTPS		
Frame Rate Second Stream	HC35WF6R1: MAX 30fps MAX 15fps for encryption under HTTPS HC35WFCR1: MAX 25fps MAX 15fps for encryption under HTTPS		
Frame Rate Third Stream	HC35WF6R1: MAX 30fps(Not available for encryption) HC35WFCR1: N/A		
Bit Rate HC35WF6R1	Stream 1 2560 x 2560 25/30fps 500kbps-16000kbps 2048 x 2048, 2560 x 1280, 2048 x 1536, 1920 x 1440, 1520 x 1520 25/30fps 500kbps-12000kbps 1280 x 1280, 1920 x 960, 2560 x 640, 1280 x 960, 960 x 960 25/30fps 200kbps-8000kbps 1920 x 480, 720 x 720, 640 x 640 25/30fps 100kbps-6000kbps Stream 2 704 x 576(PAL)/704 x 480(NTSC), 640 x 640 25/30fps 100kbps-6000kbps 640 x 480, 480 x 480, 832 x 208 25/30fps 100kbps-3000kbps 320 x 240 25/30fps 100kbps-1500kbps Stream 3 1920 x 1080 25/30fps 500kbps-12000kbps 1280 x 1280 25/30fps 200kbps-8000kbps 704 x 576(PAL)/704 x 480(NTSC), 640 x 640 25/30fps 100kbps-6000kbps 640 x 480, 480 x 480, 832 x 208 25/30fps 100kbps-3000kbps 320 x 240 25/30fps 100kbps-1500kbps		
Bit Rate HC35WFCR1	Stream 1: 4000 x 3000, 3000 x 3000, 2560 x 2560, 3000 x 752, 4000 x 2000 @25fps 500kbps-16000kbps 2560 x 1280, 2048 x 1536, 1920 x 1440, 1520 x 1520 @25fps 500kbps-12000kbps 1280 x 960, 2560 x 640, 1920 x 960, 1280 x 960, 960 x 960 @25fps 200kbps-8000kbps 1920 x 480, 720 x 720, 640 x 640 @25fps 100kbps-6000kbps Stream 2: 704 x 576(PAL)/704 x 480(NTSC), 640 x 640 25fps 100kbps-6000kbps 640 x 480, 480 x 480, 832 x 208 25fps 100kbps-3000kbps 320 x 240 25fps 100kbps-1500kbps		

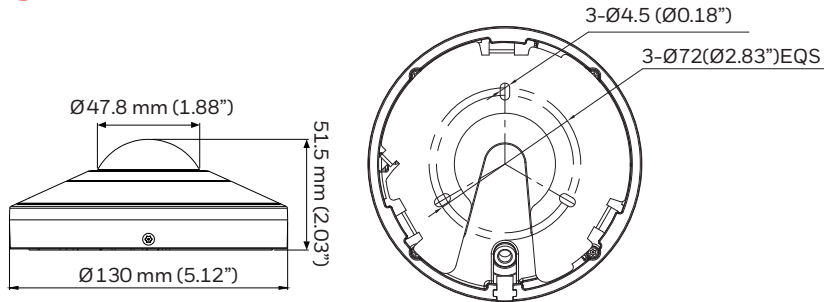
AUDIO	
Audio Compression	G.711a/ G.711Mu
Audio Stream	2-Way, Full duplex
Audio Interface	1 Ch Input, 1 Ch Output, Built-in Mic
NETWORK	
Ethernet	10 Base-T/100 Base-TX Ethernet (RJ-45)
Supported Web Browsers	Chrome/Edge
Supported OS	Microsoft Windows 10 / 11
Protocols*	IPv4, IPv6, TCP / IP, HTTP, HTTPS, RTSP / RTP / RTCP, IGMP / Multicast, SMTP, DHCP, NTP, DNS, QoS, SNMP, 802.1X, UDP, ICMP, ARP, TLS, FTP / SFTP, DDNS
Interoperability	ONVIF Profile G/S/T/M
Maximum Users Access	10 Users
Security	User account and password protection, HTTPS, IP Filter, Digest authentication, TLS1.2&TLS1.3, Stream encryption, AES128 / 256, SSH / Telnet closed, PCI-DSS compliance, Built-in encryption chipset
Secure Boot	Supported
Languages Supported	Arabic, Czech, Dutch, English, French, German, Italian, Japanese, Korean, Polish, Portuguese (Brazil), Spanish, Turkish, Traditional Chinese
EVENTS/ANALYTICS	
Video Analytics	Video analysis is supported under Single channel fisheye mode only: Motion Detection, Smart Motion, Scene Change, Intrusion, Multi-Loitering, People Counter, Face Detection, Line Crossing Detection, Unattended Object Detection, Missing Object Detection, Heat Map
Event Type	Video Motion Detection, Alarm Input, Recording Notification, Tampering, Audio Detection
Event Linkage	Event notification, Email and MicroSD card
Region of Interest	8
ELECTRICAL	
Power Supply	DC12V, 1A; (-15% to +25%) / PoE 44-57 V, 350mA
Power Consumption	Max 10.6W
MECHANICAL	
Dimensions (D x D x H)	Ø130 x 51.5 mm (5.12" x 2.03")
Package Dimensions (D x D x H)	185 x 175 x 90 mm (7.28" x 6.89" x 3.54")
Dome Diameter	Ø47.8 mm (1.88")
Product Weight	HC35WF6R1: 0.602 kg (1.327 lb) HC35WFCR1: 0.594 kg (1.310 lb)
Package Weight	HC35WF6R1: 0.815 kg (1.797 lb) HC35WFCR1: 0.808 kg (1.781 lb)
Body Material	Metal + Plastic
Color	RAL 9003, Black
ENVIRONMENTAL	
Operating Temperature	-30 °C ~ 60 °C (-22 °F ~ 140 °F)
Relative Humidity	Less than 95 %, non-condensing
Ingress Protection	IP66, IP67
Impact Resistance	IK10

* Some development may be required in specific user cases to support some of these protocols in the field as they mature over time.

35 SERIES 6 MP /12 MP FISHEYE CAMERAS

REGULATORY		DORI (EN62676-4 STANDARD)	
Emissions	FCC PART 15, CE(EN55032), Complies with RCM and UKCA	Detect	HC35WF6R1: 32.9 m (107.94 ft) HC35WFCR1: 41.1 m (134.84 ft)
Immunity	CE(EN 50130-4, EN 55035), Complies with RCM and UKCA	Observe	HC35WF6R1: 13.16 m (43.18 ft) HC35WFCR1: 16.44 m (53.94 ft)
Safety	UL LISTED TO UL/CSA 62368-1, CE(EN 62368-1), Complies with RCM and UKCA	Recognize	HC35WF6R1: 6.58 m (21.59 ft) HC35WFCR1: 8.22 m (26.97 ft)
RoHS	CE(EN 63000), UAE (Cabinet Decree No.10 of 2017)	Identify	HC35WF6R1: 3.29 m (10.79 ft) HC35WFCR1: 4.11 m (13.48 ft)
Country of Origin	Vietnam		
Warranty	5 year		

DIMENSIONS



SYSTEM COMPATIBILITY & RECOMMENDED ACCESSORIES

SYSTEM COMPATIBILITY		OPTIONAL MOUNTS AND ACCESSORIES*	
MAXPRO NVR HE	Up to 256 IP channels RAID5/6 enterprise NVR	HA35PCM04B	35S cap for pendent mount, 1.5NPT male
MAXPRO NVR PE	Up to 192 IP channels RAID5/6 enterprise NVR	HA35CLM01	35S ceiling mount base with adapter
MAXPRO NVR SE	Up to 96 IP channels system NVR	HA35CLM02	35S ceiling mount pendent extension, 252 mm
MAXPRO NVR XE	Up to 24 IP channels system NVR	HA60WLMB1	60S wall mount bracket, 1.5NPT female
MAXPRO NVR Software	Up to 256 IP channels recording software	HA35PLM01	35S pole mount bracket
ADPRO NVR IFT-E	Up to 32 IP channels with up to 32 VA channels NVRs	HA35CNM01	35S corner mount bracket
ADPRO NVR IFT	Up to 32 IP channels or 16 IP channels with up to 16 VA channels NVRs	HA35JCBHA1	35S all-in-one box
ADPRO NVR EFT-S	Up to 16 IP channels or 8 IP channels with up to 8 VA channels NVRs		
ADPRO NVR IFT Gateway	4 IP channels + 4 VA channels		
Honeywell DVM	Supported with Honeywell DVM 800		
35 Series NVR	4/8/16/32/64-channel 35 series NVRs		

*Mounting accessories are not included with camera and must be ordered separately. Please refer to the cross reference matrix or accessories datasheet for detailed information.

ORDERING

ORDERING	
HC35WF6R1	35 Series 6 MP IR Fixed Fisheye Camera, WDR, 1.22mm, PoE
HC35WFCR1	35 Series 12 MP IR Fixed Fisheye Camera, DWDR, 1.8 mm, PoE

For More Information

www.security.honeywell.com/uk
buildings.honeywell.com/security

Honeywell Commercial Security

Building 5 Carlton Park
 King Edward Avenue
 Narborough, Leicester
 LE19 0LF
 Tel: +44 (0)1163 500714
www.honeywell.com



HEVC Advance™

ONVIF and the ONVIF logo are trademarks of ONVIF Inc.
 HEVC Advance logo is a trademark of HEVC Advance.
 Honeywell reserves the right, without notification, to make changes in product design or specifications.

HBA-SEC-35S-HC35WFxR1-DS-UK-EN-01-2025-V01-Y
 © 2025 Honeywell International Inc.

