

35 SERIES HC35WMBAR1



180° Dual-Sensor Dual-Light Color Bullet Camera

OPERATIONAL	
RAM	2 x 8 Gigabits
Flash	2 Gigabits
Video Standard	NTSC / PAL
Scanning System	Progressive
Image Sensor	2 x 5 MP 1/2.8" CMOS
Resolution	5MP Multi-Channel mode; 8MP Splicing Mode
Sensor Size (H x V)	5.216 mm x 3.968 mm
Number of Pixels (H x V)	4608 x 1728
Minimum Illumination (Color/BW)	Color: 0.007lux @ F1.6 (30 IRE) BW: 0 lux with Light on
S/N Ratio	50 dB
Electronic Shutter Speed	1/5 to 1/100,000 s
White Light	2 Warm lights
IR Distance	IR Up tp 30 m Warm light Up to 20 m
IR Light Control	Smart IR (Auto / Manual) / OFF
IR Light Number	4(2 IR + 2 Warm light)
Day/Night	Auto/Day/Night/Time
Backlight Compensation	WDR, BLC, HLC
White Balance	Auto / Tungsten / Fluorescent / Daylight / Shadow / Manual
Gain Control	0 ~ 100%
Wide Dynamic Range	Up to 120 dB
Noise Reduction	2D/3D DNR
Lens	2.4 mm, Fixed Iris, F1.6
Angle of View (H x V)	Splicing Mode: H: 191.3°, V: 80.1° Multi channels mode: H:112.3°, V:82°
Privacy Masking	Off/On (4 Areas)
Defog	Supported
Encryption Chipset	Supported
Local Storage	Micro SD (up to 1 TB)
Alarm Inputs/Outputs	1ch Input, 1ch Output
Pan Range	0° to 360°
Tilt Range	0° to 90°
Rotation Range	0° to 360°

5 YEAR
WARRANTY

ONVIF® | **SGTM**

VIDEO			
Video Compression	H.265 HEVC/H.264/MJPEG, Smart Codec		
Resolution	Splicing Mode	PAL	NTSC
		Stream 1 4224 x 1848, 3520 x 1760, 3072 x 1536, 2880 x 1440, 2560 x 1280, 2048 x 1024 @25fps 2040 x 1024 (MJPEG 12fps) Stream 2 1920 x 832, 1536 x 576, 640 x 240 @25fps Stream 3 1920 x 832, 1280 x 560 @25fps	Stream 1 4224 x 1848, 3520 x 1760, 3072 x 1536, 2880 x 1440, 2560 x 1280, 2048 x 1024 @30fps 2040 x 1024 (MJPEG 12fps) Stream 2 1920 x 832, 1536 x 576, 640 x 240 @30fps Stream 3 1920 x 832, 1280 x 560 @30fps
	Multi-channel mode	PAL	NTSC
		Stream 1 2592 x 1944, 2592 x 1520, 1920 x 1080, 1280 x 720 @25fps, Stream 2 704 x 576, 640 x 480, 352 x 288, 320 x 240 @ 25fps Stream 3 640 x 480, 352 x 288, 320 x 240 @25fps	Stream 1 2592 x 1944, 2592 x 1520, 1920 x 1080, 1280 x 720 @30fps, Stream 2 704 x 480, 640 x 480, 352 x 240, 320 x 240 @30fps Stream 3 640 x 480, 352 x 240, 320 x 240 @30fps
Number of Video Streams	3		
Frame Rate Main Stream	MAX 30fps 15fps for encryption under HTTPS		
Frame Rate Second Stream	MAX 30fps MAX 15fps for encryption under HTTPS		
Frame Rate Third Stream	MAX 30fps(Not available for encryption)		
Bit Rate	Stream 1 4224 x 1848, 3520 x 1760, 2592 x 1944, 2592 x 1520 @25/30fps 500kbps-16000kbps 3072 x 1536, 2880 x 1440, 2560 x 1280, 2048 x 1024, 1920 x 1080 @25/30fps 500kbps-12000kbps 2040 x 1024 @12fps 500kbps-12000kbps 1280 x 720 @25/30fps 200kbps-8000kbps 2040 x 1024(MJPEG 12fps) @25/30fps 500kbps-9000kbps Stream 2 1920 x 832, 1536 x 576 @25/30fps 200kbps-8000kbps 704 x 576(PAL)/704 x 480(NTSC) @25/30fps 100kbps-6000kbps 640 x 480, 640 x 240 @25/30fps 100kbps-3000kbps 352 x 288(PAL)/352 x 240(NTSC), 320 x 240 @25/30fps 100kbps-1500kbps Stream 3 1920 x 832, 1280 x 560 @25/30fps 200kbps-8000kbps 640 x 480 @25/30fps 100kbps-3000kbps 352 x 288(PAL)/352 x 240(NTSC) 320 x 240 @25/30fps 100kbps-1500kbps		

Honeywell

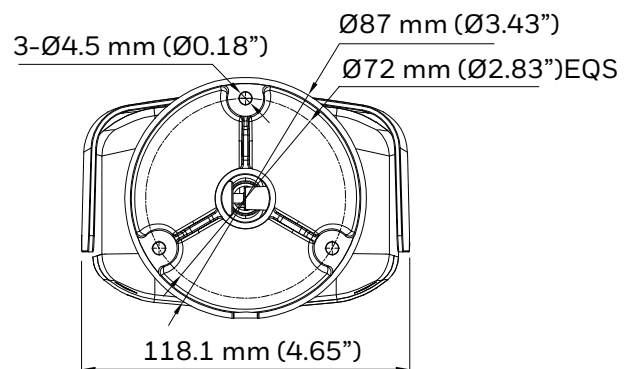
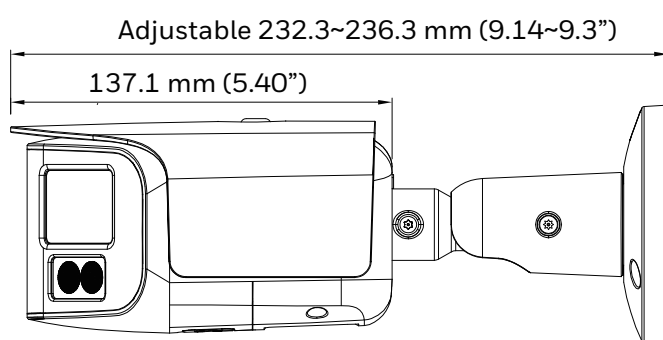
35 SERIES 180° DUAL-SENSOR DUAL-LIGHT COLOR BULLET CAMERA

AUDIO	
Audio Compression	G.711 a/ G.711 Mu
Audio Stream	2-Way, Full duplex
Audio Interface	1ch Input, 1ch Output, Built-in Mic and Speaker
Max sound transmission	Office environment, maximum output volume Up to 30m: 69dB
NETWORK	
Ethernet	10 Base-T/100 Base-TX Ethernet (RJ-45)
Supported Web Browsers	Chrome/Edge
Supported OS	Microsoft Windows 10/11
Protocols*	IPv4, IPv6, TCP / IP, HTTP, HTTPS, RTSP / RTP / RTCP, IGMP / Multicast, SMTP, DHCP, NTP, DNS, QoS, SNMP, 802.1X, UDP, ICMP, ARP, TLS, FTP/SFTP, DDNS
Interoperability	ONVIF Profile G/S/T/M
Maximum Users Access	10 Users
Security	User account and password protection, HTTPS, IP Filter, Digest authentication, TLS1.2&TLS1.3, Stream encryption, AES128 / 256, SSH / Telnet closed, PCI-DSS compliance, Built-In encryption chipset
Secure Boot	Supported
Languages Supported	Arabic, Czech, Dutch, English, French, German, Italian, Japanese, Korean, Polish, Portuguese (Brazil), Spanish, Turkish, Traditional Chinese
EVENTS/ANALYTICS	
Video Analytics	Motion Detection, Smart Motion, Scene Change, Intrusion, Multi-Loitering, People Counter, Face Detection, Line Crossing Detection, Unattended Object Detection, Missing Object Detection, Heat Map
Event Type	Video Motion Detection, Alarm Input, Recording Notification, Tampering, Audio Detection
Event Linkage	Event notification, Email and microSD card
Region of Interest	8
ELECTRICAL	
Power Supply	DC12V, 1A; (-15% to +25%) / PoE 44-57 V, 350mA
Power Consumption (Max)	Max 11.5 W

* Some development may be required in specific user cases to support some of these protocols in the field as they mature over time.

MECHANICAL	
Dimensions	Adjustable 232.3~236.3 × 118.1 × Ø87 mm (9.14~9.3" × 4.65" × Ø3.43")
Package Dimensions (D x D x H)	275 × 160 × 140 mm (10.83" × 6.30" × 5.51")
Product Weight	0.868 kg (1.914 lb)
Package Weight	1.163 kg (2.564 lb)
Body Material	Metal + Plastic
Color	RAL 9003, Black
ENVIRONMENTAL	
Operating Temperature	-30°C ~ 60°C (-22°F ~ 140°F)
Relative Humidity	Less than 95 %, non-condensing
Ingress Protection	IP66, IP67
Impact Resistance	IK10 (housing only)
REGULATORY	
Emissions	FCC PART 15, CE(EN55032), Complies with RCM and UKCA
Immunity	CE(EN 50130-4, EN 55035), Complies with RCM and UKCA
Safety	UL LISTED TO UL/CSA 62368-1, CE(EN 62368-1), Complies with RCM and UKCA
RoHS	CE(EN 63000), UAE (Cabinet Decree No.10 of 2017)
Country of Origin	Vietnam
Warranty	5 year
DORI (EN62676-4 STANDARD)	
Detect	50 m (164.04 ft)
Observe	20 m (65.62 ft)
Recognize	10 m (32.81 ft)
Identify	5 m (16.4 ft)

DIMENSIONS



35 SERIES 180° DUAL-SENSOR DUAL-LIGHT COLOR BULLET CAMERA

SYSTEM COMPATIBILITY & RECOMMENDED ACCESSORIES

SYSTEM COMPATIBILITY		OPTIONAL MOUNTS AND ACCESSORIES*	
MAXPRO NVR HE	Up to 256 IP channels RAID5/6 enterprise NVR	HA35PCM04B	35S cap for pendent mount, 1.5NPT male
MAXPRO NVR PE	Up to 192 IP channels RAID5/6 enterprise NVR	HA35CLM01	35S ceiling mount base with adapter
MAXPRO NVR SE	Up to 96 IP channels system NVR	HA35CLM02	35S ceiling mount pendent extension, 252 mm
MAXPRO NVR XE	Up to 24 IP channels system NVR	HA35JCBHBA	35S bullet junction box
MAXPRO NVR Software	Up to 256 IP channels recording software	HA35PLM01	35S pole mount bracket
ADPRO NVR IFT-E	Up to 32 IP channels with up to 32 VA channels NVRs	HA35CNM01	35S corner mount bracket
ADPRO NVR IFT	Up to 32 IP channels or 16 IP channels with up to 16 VA channels NVRs		
ADPRO NVR EFT-S	Up to 16 IP channels or 8 IP channels with up to 8 VA channels NVRs		
ADPRO NVR iFT Gateway	4 IP channels + 4 VA channels		
Honeywell DVM	Supported with Honeywell DVM 800		
35 Series NVR	4/8/16/32/64-channel 35 series NVRs		

*Mounting accessories are not included with camera and must be ordered separately. Please refer to the cross reference matrix or accessories datasheet for detailed information.

ORDERING

ORDERING	
HC35WMBAR1	35 Series 180° Dual-Sensor Dual-Light Color Bullet Camera, 2.4 mm PoE, 2.4 mm PoE

For More Information

www.security.honeywell.com/uk
buildings.honeywell.com/security

Honeywell Commercial Security

Building 5 Carlton Park
King Edward Avenue
Narborough, Leicester
LE19 0LF

Tel: +44 (0)1163 500714

www.honeywell.com



ONVIF and the ONVIF logo are trademarks of ONVIF Inc.
HEVC Advance logo is a trademark of HEVC Advance.
Honeywell reserves the right, without notification, to make changes in product design or specifications.

HBA-SEC-35S-HC35WMBAR1-DS-UK-EN-01-2025-V01-Y
© 2025 Honeywell International Inc.

Honeywell