

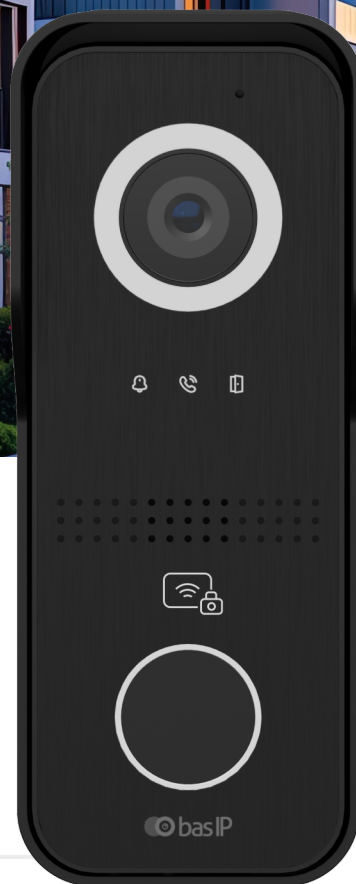
AV-06M

ENTRANCE PANEL

Description

The BAS-IP AV-06M is a sleek and compact single-button entrance panel designed for seamless video communication at villa entrances or front doors. Despite its slim profile, the panel features a Mifare card reader, high-quality camera, status LED indication, and robust access management capabilities.

It supports various identification methods, including access cards, QR codes, vehicle license plates, and remote control via an indoor monitor. With the BAS-IP SH-12 accessory, the AV-06M can also connect to external access keypads or advanced readers, enhancing its versatility and functionality.



Specifications

Panel type	Individual
Camera	1/2.8"
Resolution	2 Mpx
Camera angle	110° (horizontal)
Output video	FullHD (1920 × 1080), H.264 Main Profile
Wide Dynamic Range (WDR)	Yes
Night backlight	12 LEDs
Light sensitivity	0,01 LuX
Protection class	IP65
IK-Code	IK06
Working temperature	-40 — +65 °C
Power consumption	5.5 W, in standby — 2.1 W
Supported Cards	Mifare®: Ultralight, Ultralight Ev1, Light ID, Standard, Classic (1K/4K), Classic EV1 (1K/4K), DESFire Light (read-only UID, 4 bytes), DESFire Ev1 (read-only UID, 4 bytes), NFC (ISO 14443).
Wi-Fi	2.4GHz (IEEE 802.11 n)
Power supply	+12V DC, IEEE PoE 802.3af
Memory card support	MicroSD * up to 32GB
Body	Plastic
Colors	Black
Size of the panel	52 x 137 x 28 mm
Installation	Surface Mounting with or without Sun & Rain Cover (included)
Additional accessories	Rotating Bracket 30-degree (sold separately)

Main features

-  Camera: 2.0 MP
-  Output video 1080p
-  IEEE PoE 802.3af and +12V DC
-  Wi-Fi: 2.4 GHz (802.11n)
-  Software Link support
-  Mifare® Card Reader
-  Panel Status LED indication
-  Plastic Sun & Rain Cover and Rotating Bracket

The specifications and appearance of the device may differ from those stated or may change without prior notice.

*reserved; firmware update only.

Functional capabilities

Interface

Multi-language graphical and WEB interface

Lock opening

By means of a monitor
By QR code
By License plate
By Access card
By Exit Button
The BAS-IP Intercom app
The BAS-IP Link app
From API

Identifiers in the panel memory
(QR codes, cards, key fobs)

20 000

Integration with ACS

Wiegand

Built-in Wiegand output for card,
key fob

26, 34, 58 bits

Connection of the additional
SH-12 module and its support

Wiegand input: 26, 34, 58 bits
Wiegand output for card, key fob, and all other types
of identifiers: 26, 34 и 58 bits inclusive.

Shortcut buttons

1 Mechanical call button

Sound Notifications

Customizable sounds for ringback, door unlock, incoming calls, call in progress,
and communication in progress

Authentication

Separate passwords for the web interface

Additional Features

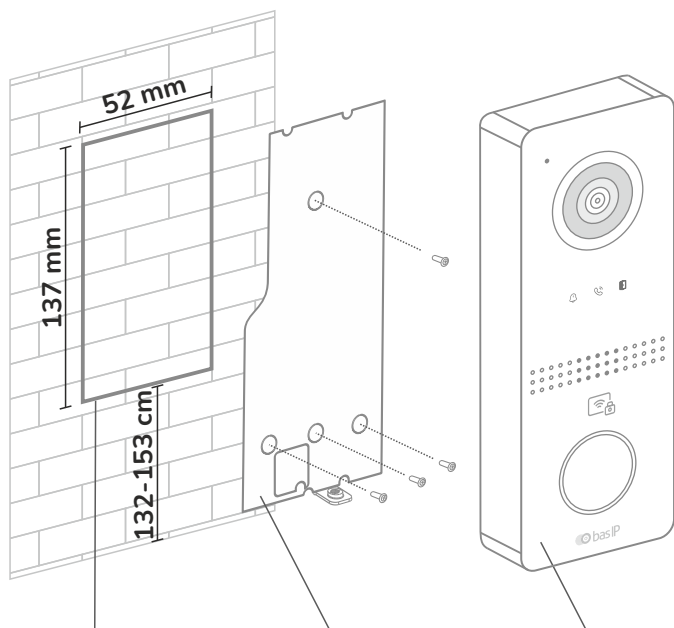
Built-in relay, tamper sensor, SIP P2P, Link software support, open API,
and event-triggered photo uploads to the server

Color variations



BLACK

Surface mounting

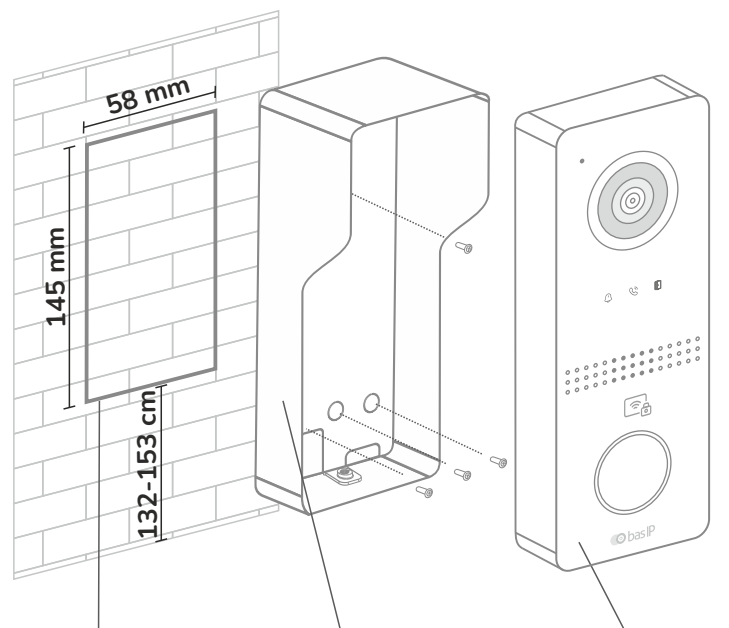


Mounting area

Surface mounting
bracket

Outdoor Panel

Surface mounting with Sun & Rain Cover

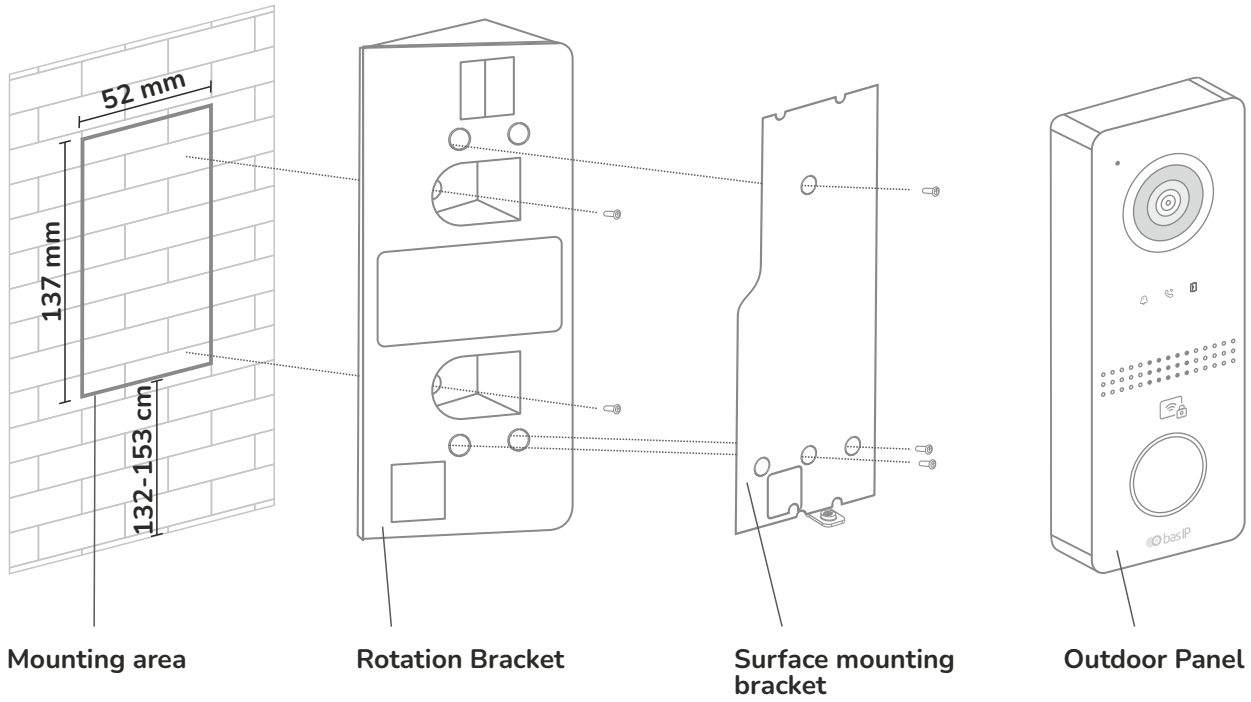


Mounting area

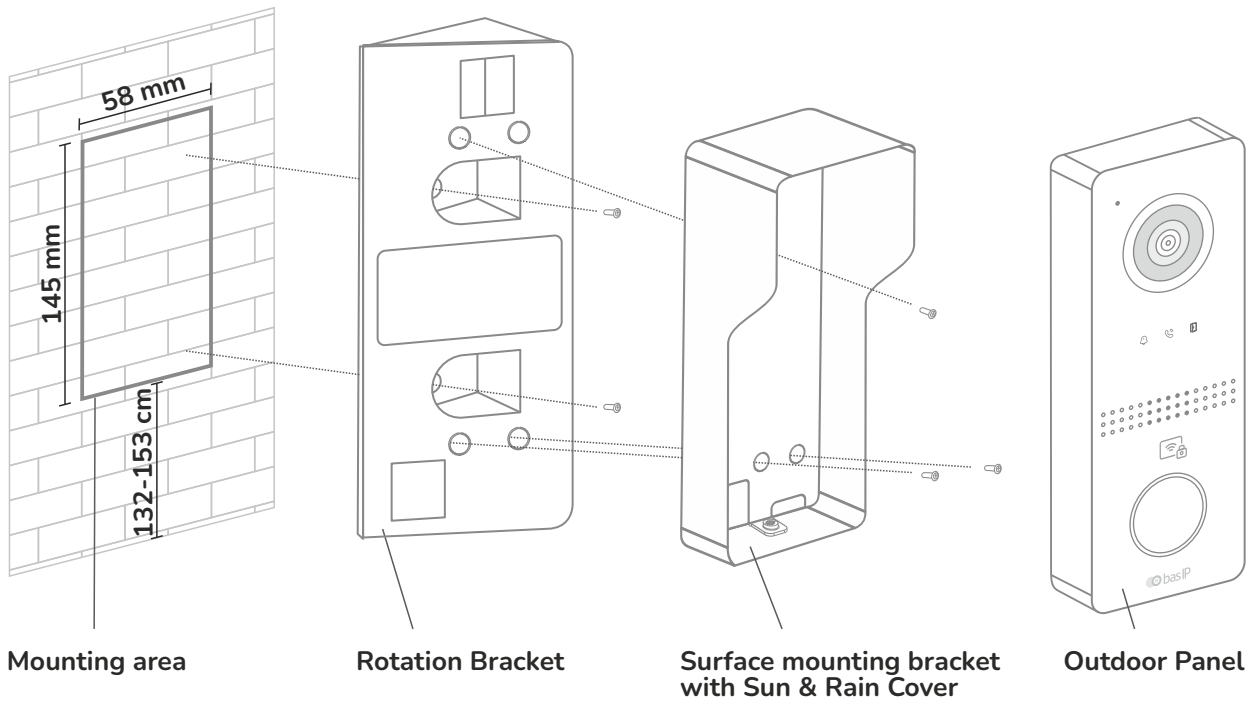
Surface mounting bracket
with Sun & Rain Cover

Outdoor
Panel

Surface mounting with rotating bracket



Surface mounting with Sun & Rain Cover and rotating bracket



Rotating Bracket 30-degree is not included in the box and must be purchased separately.