

35 SERIES HC35CB5R3



5 MP - Dual-Light Color Bullet Camera

OPERATIONAL	
RAM	4 Gigabits
Flash	2 Gigabits
Video Standard	NTSC/PAL
Scanning System	Progressive
Image Sensor	1/2.8" CMOS
Sensor Size (H x V)	5.216 mm x 3.968 mm
Number of Pixels (H x V)	2592 x 1944
Minimum Illumination (Color/BW)	Color: 0.003 Lux (F1.0, 30 IRE), B/W: 0 Lux with Light on
S/N Ratio	50 dB
Electronic Shutter Speed	1/8 to 1/100,000 s
White Light	Warm light
IR Distance	IR up to 40m, Warm light up to 30m
IR Light Control	Smart IR (Auto/Manual)/OFF
IR Light Number	8(5 IR + 3 Warm light)
Day/Night	Auto/Day/Night/Time
Backlight Compensation	WDR, BLC, HLC
White Balance	Auto/ Tungsten/ Fluorescent/ Daylight/ Shadow/ Manual
Gain Control	0 ~ 100%
Wide Dynamic Range	Up to 120 dB
Noise Reduction	2D/3D DNR
Lens	2.8 mm, Fixed Iris, F1.0
Angle of View (H x V)	H: 93.1°, V: 69.4°
Privacy Masking	Off/On (4 Areas)
Defog	Supported
Encryption Chipset	Supported
Local Storage	Micro SD (up to 1 TB)
Alarm Inputs/Outputs	1 Ch Input, 1 Ch Output
Pan Range	0° to 360°
Tilt Range	0° to 90°
Rotation Range	0° to 360°

5 YEAR
WARRANTY

ONVIF® | S G T M

VIDEO					
Video Compression	H.265 HEVC/ H.264/ MJPEG, Smart Codec				
Resolution	<table border="1"> <thead> <tr> <th>PAL</th> <th>NTSC</th> </tr> </thead> <tbody> <tr> <td> Stream 1 2592 x 1944/2592 x 1520/1920 x 1080/1280 x 720 @25fps Stream 2 704 x 576/640 x 480/352 x 288 @25fps Stream 3 1920 x 1080/640 x 480/352 x 288/320 x 240 @25fps </td> <td> Stream 1 2592 x 1944/2592 x 1520/1920 x 1080/1280 x 720 @30fps Stream 2 704 x 480/640 x 480/352 x 240 @30fps Stream 3 1920 x 1080/640 x 480/352 x 240/320 x 240 @30fps </td> </tr> </tbody> </table>	PAL	NTSC	Stream 1 2592 x 1944/2592 x 1520/1920 x 1080/1280 x 720 @25fps Stream 2 704 x 576/640 x 480/352 x 288 @25fps Stream 3 1920 x 1080/640 x 480/352 x 288/320 x 240 @25fps	Stream 1 2592 x 1944/2592 x 1520/1920 x 1080/1280 x 720 @30fps Stream 2 704 x 480/640 x 480/352 x 240 @30fps Stream 3 1920 x 1080/640 x 480/352 x 240/320 x 240 @30fps
	PAL	NTSC			
Stream 1 2592 x 1944/2592 x 1520/1920 x 1080/1280 x 720 @25fps Stream 2 704 x 576/640 x 480/352 x 288 @25fps Stream 3 1920 x 1080/640 x 480/352 x 288/320 x 240 @25fps	Stream 1 2592 x 1944/2592 x 1520/1920 x 1080/1280 x 720 @30fps Stream 2 704 x 480/640 x 480/352 x 240 @30fps Stream 3 1920 x 1080/640 x 480/352 x 240/320 x 240 @30fps				
Number of Video Streams	3 (2 for encryption)				
Frame Rate Main Stream	MAX 30fps Max 15fps for encryption under HTTPS				
Frame Rate Second Stream	MAX 30fps Max 15fps for encryption under HTTPS				
Frame Rate Third Stream	MAX 30fps (Not available for encryption)				
Bit Rate	Stream1 2592 x 1944, 2592 x 1520, 1920 x 1080 @25/30fps 500kbps-12000kbps 1280 x 720 @25/30fps 200kbps-8000kbps Stream2 704 x 576(PAL)/704 x 480(NTSC) @25/30fps 100kbps-6000kbps 640 x 480 @ 25/30fps 100kbps-3000kbps 352 x 288(PAL)/352 x 240(NTSC) @25/30fps 100kbps-1500kbps Stream3 1920 x 1080 @25/30fps 500kbps-12000kbps 640 x 480 @ 25/30fps 100kbps-3000kbps 352 x 288(PAL)/352 x 240(NTSC), 320 x 240 @25/30fps 100kbps-1500kbps				
AUDIO					
Audio Compression	G.711 a/ G.711 Mu				
Audio Stream	2 way, Full duplex				
Audio Interface	1Ch Input, 1Ch Output, Built-in Mic and Speaker				
Max Sound Transmission	Office environment, maximum output volume Up to 30m: 66 dB				

Honeywell

35 SERIES 5 MP - DUAL-LIGHT COLOR BULLET CAMERA

NETWORK	
Ethernet	10 Base-T/100 Base-TX Ethernet (RJ-45)
Supported Web Browsers	Chrome/Edge
Supported OS	Microsoft Windows 10/11
Protocols*	IPv4, IPv6, TCP / IP, HTTP, HTTPS, RTSP / RTP / RTCP, IGMP / Multicast, SMTP, DHCP, NTP, DNS, QoS, SNMP, 802.1X, UDP, ICMP, ARP, TLS, FTP/SFTP, DDNS
Interoperability	ONVIF Profile G/S/T/M
Maximum Users Access	10 Users
Security	User account and password protection, HTTPS, IP Filter, Digest authentication, TLS1.2&TLS1.3, Stream encryption, AES128 / 256, SSH / Telnet closed, PCI-DSS compliance, Built-In encryption chipset
Secure Boot	Supported
Languages Supported	Arabic, Czech, Dutch, English, French, German, Italian, Japanese, Korean, Polish, Portuguese (Brazil), Spanish, Turkish, Traditional Chinese
EVENTS/ANALYTICS	
Video Analytics	Motion Detection, Smart Motion, Scene Change, Intrusion, Multi-Loitering, People Counter, Face Detection, Line Crossing Detection
Event Type	Video Motion Detection, Alarm Input, Recording Notification, Tampering
Event Linkage	Event notification, Email and Micro SD card
Region of Interest	8
ELECTRICAL	
Power Supply	DC12V, 1A; (-15% to +25%) / PoE 44-57 V, 350mA
Power Consumption (Max)	Max 11.5W

MECHANICAL	
Dimensions	Adjustable 229.2~239.2 x 88.8 x 97.2 mm (9.02"~9.42" x 3.50" x 3.83")
Package Dimensions (D x D x H)	290 x 147 x 130 mm (11.42" x 5.79" x 5.12")
Product Weight	0.899 kg (1.982 lb)
Package Weight	1.151 kg (2.538 lb)
Body Material	Metal + Plastic
Color	RAL 9003, Black

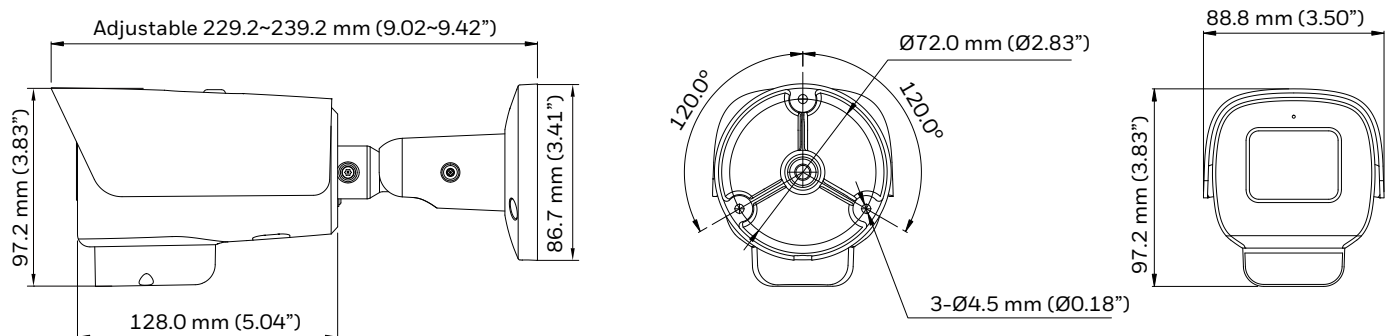
ENVIRONMENTAL	
Operating Temperature	-40°C ~ 60°C (-40°F ~ 140°F)
Relative Humidity	Less than 95 %, non-condensing
Ingress Protection	IP66, IP67
Impact Resistance	IK10 (housing only)

REGULATORY	
Emissions	FCC PART 15, CE(EN55032), Complies with RCM and UKCA
Immunity	CE(EN 50130-4, EN 55035), Complies with RCM and UKCA
Safety	UL LISTED TO UL/CSA 62368-1, CE(EN 62368-1), Complies with RCM and UKCA
RoHS	CE(EN 63000), UAE (Cabinet Decree No.10 of 2017)
Country of Origin	Vietnam
Warranty	5 year

DORI (EN62676-4 STANDARD)	
Detect	62 m (203.41ft)
Observe	24.8 m (81.36 ft)
Recognize	12.4 m (40.68 ft)
Identify	6.2 m (20.34 ft)

*Some development may be required in specific user cases to support some of these protocols in the field as they mature over time.

DIMENSIONS



35 SERIES 5 MP - DUAL-LIGHT COLOR BULLET CAMERA

SYSTEM COMPATIBILITY & RECOMMENDED ACCESSORIES

SYSTEM COMPATIBILITY		OPTIONAL MOUNTS AND ACCESSORIES*	
MAXPRO NVR HE	Up to 256 IP channels RAID5/6 enterprise NVR	HA35PCM04B	35S cap for pendent mount, 1.5NPT male
MAXPRO NVR PE	Up to 192 IP channels RAID5/6 enterprise NVR	HA35CLM01	35S ceiling mount base with adapter
MAXPRO NVR SE	Up to 96 IP channels system NVR	HA35CLM02	35S ceiling mount pendent extension, 252 mm
MAXPRO NVR XE	Up to 24 IP channels system NVR	HA35PLM01	35S pole mount bracket
MAXPRO NVR Software	Up to 256 IP channels recording software	HA35CNM01	35S corner mount bracket
ADPRO NVR IFT-E	Up to 32 IP channels with up to 32 VA channels NVRs	HA35JCBHBA	35S bullet junction box
ADPRO NVR IFT	Up to 32 IP channels or 16 IP channels with up to 16 VA channels NVRs		
ADPRO NVR EFT-S	Up to 16 IP channels or 8 IP channels with up to 8 VA channels NVRs		
ADPRO NVR iFT Gateway	4 IP channels + 4 VA channels		
Honeywell DVM	Supported with Honeywell DVM 800		
35 Series NVR	4/8/16/32/64-channel 35 series NVRs		

*Mounting accessories are not included with camera and must be ordered separately. Please refer to the cross reference matrix or accessories datasheet for detailed information.

ORDERING

ORDERING	
HC35CB5R3	35 Series 5 MP Dual-Light Color Bullet Camera, WDR, 2.8 mm PoE

For More Information

www.security.honeywell.com/uk
buildings.honeywell.com/security

Honeywell Commercial Security

Building 5 Carlton Park
King Edward Avenue
Narborough, Leicester
LE19 0LF
Tel: +44 (0)1163 500714
www.honeywell.com



ONVIF and the ONVIF logo are trademarks of ONVIF Inc.
HEVC Advance logo is a trademark of HEVC Advance.
Honeywell reserves the right, without notification, to make changes in product design or specifications.

HBA-SEC-35S-HC35CB5R3-DS-UK-EN-01-2025-V01-Y
© 2025 Honeywell International Inc.

Honeywell