

35 SERIES HC35CE5R3



5 MP - Dual-Light Color Ball Camera

OPERATIONAL	
RAM	4 Gigabits
Flash	2 Gigabits
Video Standard	NTSC/PAL
Scanning System	Progressive
Image Sensor	1/2.8" CMOS
Sensor Size (H x V)	5.216 mm x 3.968 mm
Number of Pixels (H x V)	2592 x 1944
Minimum Illumination (Color/BW)	Color: 0.003 Lux (F1.0, 30 IRE), B/W: 0 Lux with Light on
S/N Ratio	50 dB
Electronic Shutter Speed	1/8 to 1/100,000 s
White Light	Warm light
IR Distance	IR up to 30m, Warm light up to 25m
IR Light Control	Smart IR (Auto/Manual)/OFF
IR Light Number	3 (1 IR + 2 Warm light)
Day/Night	Auto/Day/Night/Time
Backlight Compensation	WDR, BLC, HLC
White Balance	Auto/ Tungsten/ Fluorescent/ Daylight/ Shadow/ Manual
Gain Control	0 ~ 100%
Wide Dynamic Range	Up to 120 dB
Noise Reduction	2D/3D DNR
Lens	2.8 mm, Fixed Iris, F1.0
Angle of View (H x V)	H: 93.1°, V: 69.4°
Privacy Masking	Off/On (4 Areas)
Defog	Supported
Encryption Chipset	Supported
Local Storage	Micro SD (up to 1 TB)
Alarm Inputs/Outputs	1 Ch Input, 1 Ch Output
Pan Range	0° to 360°
Tilt Range	0° to 80°
Rotation Range	0° to 360°

5 YEAR
WARRANTY

ONVIF® | SGT M

VIDEO					
Video Compression	H.265 HEVC/ H.264/ MJPEG, Smart Codec				
Resolution	<table border="1"> <thead> <tr> <th>PAL</th> <th>NTSC</th> </tr> </thead> <tbody> <tr> <td> Stream1 2592 x 1944/2592 x 1520/1920 x 1080/1280 x 720 @25fps Stream2 704 x 576/640 x 480/352 x 288 @25fps Stream3 1920 x 1080/640 x 480/352 x 288/320 x 240 @25fps </td> <td> Stream1 2592 x 1944/2592 x 1520/1920 x 1080/1280 x 720 @30fps Stream2 704 x 480/640 x 480/352 x 240 @30fps Stream3 1920 x 1080/640 x 480/352 x 240/320 x 240 @30fps </td> </tr> </tbody> </table>	PAL	NTSC	Stream1 2592 x 1944/2592 x 1520/1920 x 1080/1280 x 720 @25fps Stream2 704 x 576/640 x 480/352 x 288 @25fps Stream3 1920 x 1080/640 x 480/352 x 288/320 x 240 @25fps	Stream1 2592 x 1944/2592 x 1520/1920 x 1080/1280 x 720 @30fps Stream2 704 x 480/640 x 480/352 x 240 @30fps Stream3 1920 x 1080/640 x 480/352 x 240/320 x 240 @30fps
	PAL	NTSC			
	Stream1 2592 x 1944/2592 x 1520/1920 x 1080/1280 x 720 @25fps Stream2 704 x 576/640 x 480/352 x 288 @25fps Stream3 1920 x 1080/640 x 480/352 x 288/320 x 240 @25fps	Stream1 2592 x 1944/2592 x 1520/1920 x 1080/1280 x 720 @30fps Stream2 704 x 480/640 x 480/352 x 240 @30fps Stream3 1920 x 1080/640 x 480/352 x 240/320 x 240 @30fps			
	Number of Video Streams	3 (2 for encryption)			
Frame Rate Main Stream	MAX 30fps Max 15fps for encryption under HTTPS				
Frame Rate Second Stream	MAX 30fps Max 15fps for encryption under HTTPS				
Frame Rate Third Stream	MAX 30fps (Not available for encryption)				
Bit Rate	Stream1: 2592 x 1944, 2592 x 1520, 1920 x 1080 @25/30fps 500kbps-1200kbps 1280 x 720 @25/30fps 200kbps-800kbps Stream2: 704 x 576(PAL)/704 x 480(NTSC) @25/30fps 100kbps-6000kbps 640 x 480 @ 25/30fps 100kbps-3000kbps 352 x 288(PAL)/352 x 240(NTSC) @25/30fps 100kbps-1500kbps Stream3: 1920 x 1080 @25/30fps 500kbps-1200kbps 640 x 480 @ 25/30fps 100kbps-3000kbps 352 x 288(PAL)/352 x 240(NTSC), 320 x 240 @25/30fps 100kbps-1500kbps				
AUDIO					
Audio Compression	G.711 a/ G.711 Mu				
Audio Stream	2 way, Full duplex				
Audio Interface	1 Ch Input, 1 Ch Output, Built-in Mic				
Max Sound Transmission	Not supported				

Honeywell

35 SERIES 5 MP - DUAL-LIGHT COLOR BALL CAMERA

NETWORK	
Ethernet	10 Base-T/100 Base-TX Ethernet (RJ-45)
Supported Web Browsers	Chrome/Edge
Supported OS	Microsoft Windows 10/11
Protocols*	IPv4, IPv6, TCP / IP, HTTP, HTTPS, RTSP / RTP / RTCP, IGMP / Multicast, SMTP, DHCP, NTP, DNS, QoS, SNMP, 802.1X, UDP, ICMP, ARP, TLS, FTP/SFTP, DDNS
Interoperability	ONVIF Profile G/S/T/M
Maximum Users Access	10 Users
Security	User account and password protection, HTTPS, IP Filter, Digest authentication, TLS1.2&TLS1.3, Stream encryption, AES128 / 256, SSH / Telnet closed, PCI-DSS compliance, Built-In encryption chipset
Secure Boot	Supported
Languages Supported	Arabic, Czech, Dutch, English, French, German, Italian, Japanese, Korean, Polish, Portuguese (Brazil), Spanish, Turkish, Traditional Chinese

EVENTS/ANALYTICS	
Video Analytics	Motion Detection, Smart Motion, Scene Change, Intrusion, Multi-Loitering, People Counter, Face Detection, Line Crossing Detection
Event Type	Video Motion Detection, Alarm Input, Recording Notification, Tampering
Event Linkage	Event notification, Email and Micro SD card
Region of Interest	8

ELECTRICAL	
Power Supply	DC12V, 1A; (-15% to +25%) / PoE 44-57 V, 350mA
Power Consumption (Max)	Max 7.5 W

* Some development may be required in specific user cases to support some of these protocols in the field as they mature over time.

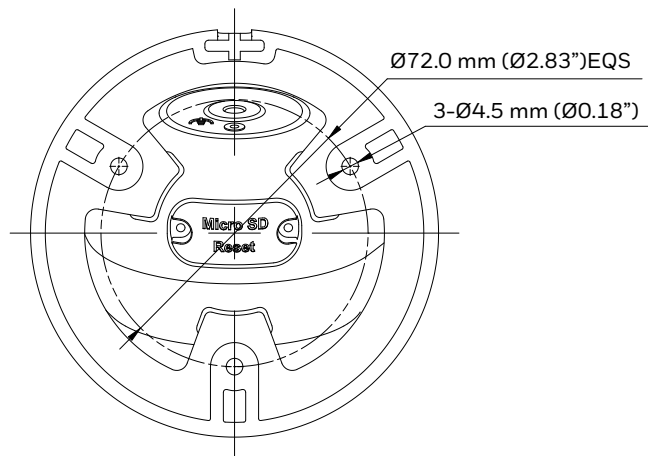
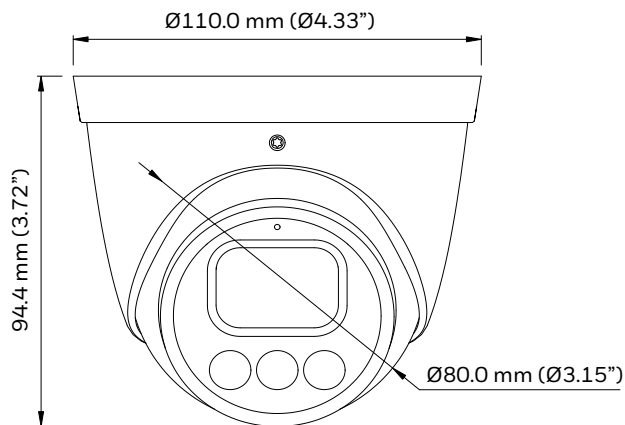
MECHANICAL	
Dimensions	Ø110 x 94.4 mm (Ø4.33" x 3.72")
Package Dimensions (D x D x H)	152 x 152 x 128 mm (5.98" x 5.98" x 5.04")
Product Weight	0.527 kg (1.162 lb)
Package Weight	0.697 kg (1.537 lb)
Body Material	Metal + Plastic
Color	RAL 9003, Black

ENVIRONMENTAL	
Operating Temperature	-40°C ~ 60°C (-40°F ~ 140°F)
Relative Humidity	Less than 95 %, non-condensing
Ingress Protection	IP66, IP67
Impact Resistance	IK10 (housing only)

REGULATORY	
Emissions	FCC PART 15, CE(EN55032), Complies with RCM and UKCA
Immunity	CE(EN 50130-4, EN 55035), Complies with RCM and UKCA
Safety	UL LISTED TO UL/CSA 62368-1, CE(EN 62368-1), Complies with RCM and UKCA
RoHS	CE(EN 63000), UAE (Cabinet Decree No.10 of 2017)
Country of Origin	Vietnam
Warranty	5 year

DORI (EN62676-4 STANDARD)	
Detect	62 m (203.41ft)
Observe	24.8 m (81.36 ft)
Recognize	12.4 m (40.68 ft)
Identify	6.2 m (20.34 ft)

DIMENSIONS



35 SERIES 5 MP - DUAL-LIGHT COLOR BALL CAMERA

SYSTEM COMPATIBILITY & RECOMMENDED ACCESSORIES

SYSTEM COMPATIBILITY		OPTIONAL MOUNTS AND ACCESSORIES*	
MAXPRO NVR HE	Up to 256 IP channels RAID5/6 enterprise NVR	HA35PMC03	35S fixed camera cap, 1.5NPT male
MAXPRO NVR PE	Up to 192 IP channels RAID5/6 enterprise NVR	HA35CLM01	35S ceiling mount base with adapter
MAXPRO NVR SE	Up to 96 IP channels system NVR	HA35CLM02	35S ceiling mount pendent extension, 252 mm
MAXPRO NVR XE	Up to 24 IP channels system NVR	HA60WLMB1	60S wall mount bracket, 1.5NPT female
MAXPRO NVR Software	Up to 256 IP channels recording software	HA35JCBWML	35S wall mount bracket
ADPRO NVR IFT-E	Up to 32 IP channels with up to 32 VA channels NVRs	HA35JCBHA1	35S all-in-one box
ADPRO NVR IFT	Up to 32 IP channels or 16 IP channels with up to 16 VA channels NVRs	HA35PLM01	35S pole mount bracket
ADPRO NVR EFT-S	Up to 16 IP channels or 8 IP channels with up to 8 VA channels NVRs	HA35CNM01	35S corner mount bracket
ADPRO NVR iFT Gateway	4 IP channels + 4 VA channels		
Honeywell DVM	Supported with Honeywell DVM 800		
35 Series NVR	4/8/16/32/64-channel 35 series NVRs		

*Mounting accessories are not included with camera and must be ordered separately. Please refer to the cross reference matrix or accessories datasheet for detailed information.

ORDERING

ORDERING	
HC35CE5R3	35 Series 5 MP Dual-Light Color Ball Camera, WDR, 2.8 mm PoE

For More Information

www.security.honeywell.com/uk
buildings.honeywell.com/security

Honeywell Commercial Security

Building 5 Carlton Park
King Edward Avenue
Narborough, Leicester
LE19 0LF
Tel: +44 (0)1163 500714
www.honeywell.com



ONVIF and the ONVIF logo are trademarks of ONVIF Inc.
HEVC Advance logo is a trademark of HEVC Advance.
Honeywell reserves the right, without notification, to make changes in product design or specifications.

HBA-SEC-35S-HC35CE5R3-DS-UK-EN-01-2025-V01-Y
© 2025 Honeywell International Inc.

Honeywell