

DS-QAZ1325G1T(C)
25 W Network Horn Speaker



- 110dB Nominal Sensitivity
- 124dB@1m Rated Maximum SPL
- 300Hz~8kHz bandwidth
- Support SIP
- 25W Rated Power

▪ Specification

| Microphone | |
|--------------------------|---|
| Type | electret |
| Amount | 2 |
| Frequency Response | 100 Hz to 20 kHz |
| Sensitivity | -42 dBV/Pa |
| Sampling Rate | 48 kHz |
| Quantization Bits | 16 bit |
| Speaker | |
| Rated Power | 25 W |
| Impedance | 8 Ω |
| Sensitivity(1 m, 1 W) | 110 dB |
| Max. Acoustic Pressure | 124 dB SPL |
| Direction | 70° horizontal by 100° vertical |
| Frequency Response | 300 Hz to 8 kHz |
| SNR | 83 dB |
| Function | |
| Audio Algorithm | AEC、AGC、ANS、DRC |
| Audio Bit Rate | G.711ulaw(64 Kbps)/G.711alaw(64 Kbps)/MP3(128 Kbps) |
| Audio File Format | MP3, WAV |
| NTP Timing | Support |
| Broadcast | Regular broadcast, live broadcast, emergency broadcast |
| Two-Way Audio | Support |
| Speech Synthesis | Language Type: English, Russian, Spanish, Japanese, Thai, Portuguese (Brazil), Korean, French |
| Network | |
| Network Protocol | IPv4, HTTP, HTTPS, SIP, SSL/TLS, DNS, NTP, TCP, UDP, IGMP, ICMP, DHCP, ARP, SSH |
| Interface Protocol (API) | ISAPI, ISUP, SIP, RTP, ONVIF |
| Client | Hik-Connect, ivms/4200, HikCentral Professional, Hik-Partner Pro, NVR, MileStone |
| Communication | |
| Communication Method | Support wired network communication |
| Interface | |
| Alarm | Alarm input ×1 |
| Ethernet Interface | RJ45 10 M/100 M Adaptive Ethernet port × 1 |
| Power Output | 12 VDC, 25 mA(max.) |
| Local Storage | Built-in 4 GB EMMC (Audio file storage is 1 GB.) |
| API | ISAPI, ISUP, SIP, ONVIF |
| Reset | Support |
| General | |
| Material | Metal |
| Operating Temperature | -30 °C to 60 °C (-22 °F to 140 °F) |
| Operating Humidity | < 90% (No condensation) |
| Dimension | 182.4 mm × 273.87 mm × 239.38 mm (7.18" × 10.78" × 9.42") |
| Power | 24 VDC, 1167mA, 28W |
| Package Dimension | 310 mm × 245 mm × 400 mm (12.2" × 9.6" × 15.6") |

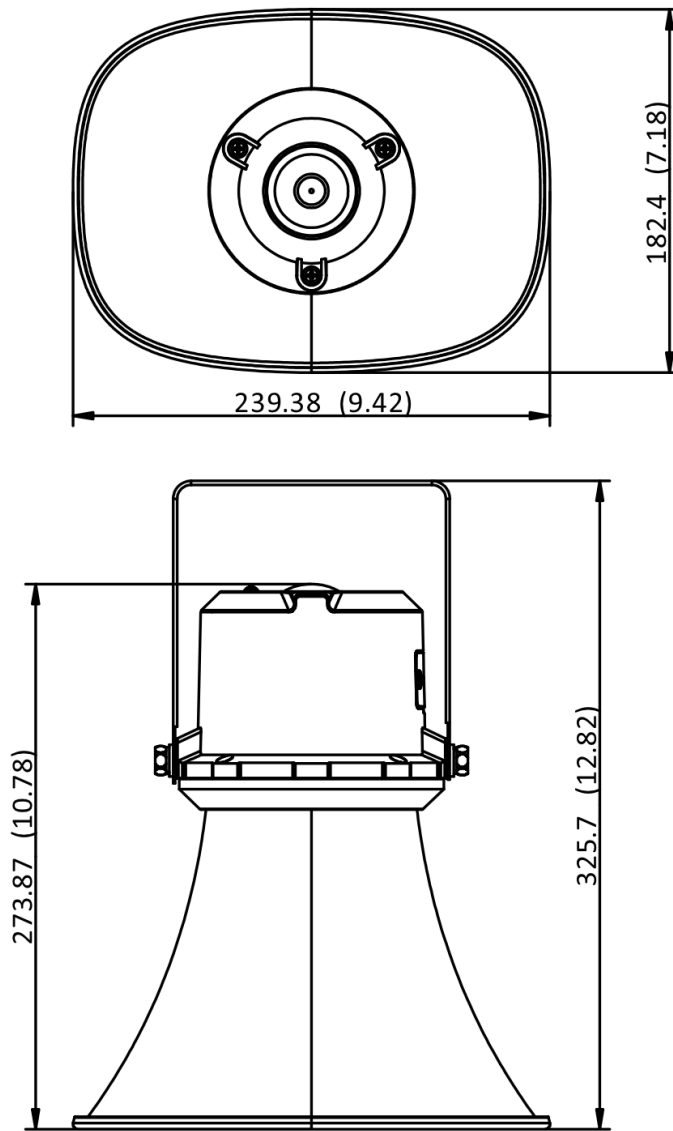
| | |
|---------------------|---|
| Weight | Approx. 2.1 kg (4.63 lb.) |
| With Package Weight | Approx. 3.4 kg (7.50 lb.) |
| Color | White |
| Packing List | Device × 1 Threading cap × 1 Regulatory Compliance and Safety Information × 1 |
| Language | 41 languages: English, French, Spanish, German, Italian, Japanese, Thai, Russian, Portuguese (Brazil), Arabic, Bulgarian, Czech, Danish, Greek, Spanish (Mexico), Estonian, Persian, Finnish, Hebrew, Croatian, Hungarian, Indonesian, Kazakh, Korean, Kirgiz, Lao, Lithuanian, Latvian, Dutch, Norwegian, Polish, Portuguese, Romanian, Slovak, Slovenian, Serbian, Swedish, Turkish, Ukrainian, Uzbek, Vietnamese |
| Approval | |
| Protection | IP67, IK10 |
| EMC | CE-EMC: EN 55032:2015+A11:2020+A1:2020, EN IEC 61000-3-2:2019, EN 61000-3-3:2013+A1:2019+A2:2021, EN 55035:2017+A11:2020 RCM: AS/NZS CISPR 32: 2015 IC: ICES-003: Issue 7 |
| Safety | CB: IEC 62368-1:2014 CE-LVD: EN 62368-1:2014/A11:2017 |
| Environment | CE-RoHS: 2011/65/EU WEEE: 2012/19/EU Reach: Regulation (EC) No 1907/2006 |

▪ **Available Model**

DS-QAZ1325G1T(C)

DS-QAZ1325G1T(C)/EN

▪ **Dimension**



Unit: mm(inch)

See Far, Go Further



www.hikvision.com
support@hikvision.com

