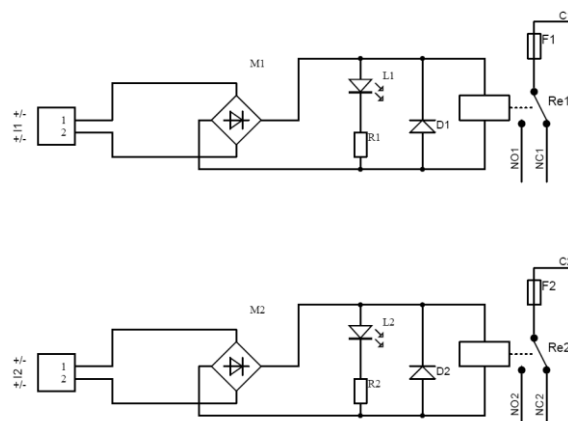
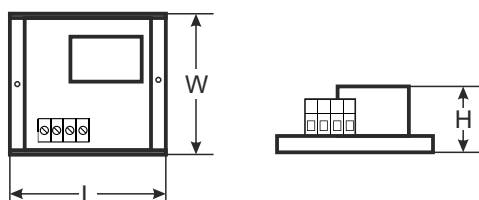


CODE: **AWZ512** v.2.1/VII
NAME: **PU2 Relay module**

EN



DESCRIPTION

The PU2 (AWZ512) relay module is to be used in low-voltage installations. It is intended for controlling and status indication in e.g. alarm or access control systems. It may be used to control devices of high power consumption via OC outputs of alarm systems. Moreover, it ensures galvanic isolation of signals, power sources relating to the outputs of the module.

SPECIFICATIONS

Voltage of the relay's coil	10 ÷ 16 V DC / 10 ÷ 13 V AC (-/+5%)
Current of the relay's coil	30 mA@12 V DC
Number of relays	2
Voltage of the relay's contacts	30 V DC / 48 V AC
Current of the relay's contacts	1 A max.
Fuse F1 – F2	2 x F 1,5 A
Operating temperature	-10°C ÷ +50°C
Dimensions	L=80, W=43, H=20 [mm, +/-2]
Net/gross weight	0,04 / 0,07 [kg]
Installation	Installation tape or installation bolt x 2
Declarations, warranty	CE, 2 years from production date
Notes	leads on connections: Ø 0,41÷1,63 (AWG 26-14)