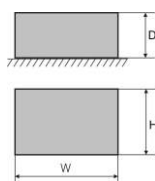
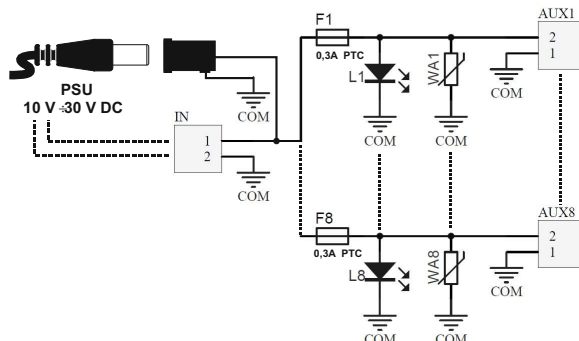


CODE: **AWZ577 v.1.0/III**
NAME: **LB8/0,3A/PTC fuse module**

EN



DESCRIPTION

The fuse module is intended for dividing power in low-voltage alarm systems (power distribution) that require voltage within the range of: 10 V ± 30 V DC. It contains two power inputs: a screw connector and a DC 5,5/2,1 outlet and eight power outputs AUX1÷AUX8 which are independently secured with PTC0,3A polymer fuse. An activation of the PTC fuse is indicated by an appropriate LED going out: L1 for AUX1, L2 for AUX2 etc. Additionally, each output is secured by a varistor which protects the PSU and the receivers against surges in the power circuit.

SPECIFICATIONS

| | |
|--|--|
| Supply voltage | 10 V± 30 V DC |
| Output voltage | $U_{AUX} = U_{IN}$ (equal to supply voltage) |
| Current consumption | 9 mA÷ 60 mA @ $U_{IN} = 10 V \pm 30 V DC$ |
| Number of power inputs | 2: a DC 5,5/2,1 outlet or a screw connector |
| Number of power outputs | 8 (AUX terminals) |
| Protections against: - a short circuit SCP - an overload OLP - a surge | - 8 x 0,3A PTC - 8 x 0,3A PTC - varistors |
| LED indication | Green LEDs L1 ÷ L8 –AUX1÷AUX8 outputs status |
| F1 ÷ F8 fuses | 8 x 0,3A PTC |
| Operating conditions | II environmental class, -10°C ÷50°C |
| Dimensions | 124 x 43 x 21 (WxHxD) |
| Fixing | a mounting tape or dowel pins x2 (holesØ3mm) |
| Connectors: - of power output - of power input | - screw connectors $\Phi 0,41 \pm 1,63$ (AWG 26-14) - a DC 5,5/2,1 outlet or a screw connector $\Phi 0,41 \pm 1,63$ (AWG 26-14) |
| Net/gross weight | 0,051kg / 0,078kg |
| Declarations, warranty | CE, RoHS, 2 year from the production date |