

# HBW2GR3V/HBW2GR1V/HBL2GR1V/ HBW4GR1V



HD ONVIF\*1 S G Q

Network TDN Low-Light WDR 2MP/4MP IR Rugged Bullet

OPERATIONAL		IP SPECIFICATIONS		
VIDEO STANDARD	NTSC/PAL	MAIN STREAM	HBW2GR3V, HBW2GR1V, HBL2GR1V: 1080P (1~50/60fps WDR off) HBW4GR1V: 4M (1~25/30fps)	
SCANNING SYSTEM	Progressive scan		SUB STREAM	HBW2GR3V, HBW2GR1V, HBL2GR1V: D1 (1~50/60fps WDR off) HBW4GR1V: D1 (1~25/30fps)
IMAGE SENSOR	HBW2GR3V, HBW2GR1V, HBL2GR1V: 1/2.8" 2Megapixel progressive scan CMOS HBW4GR1V: 1/3" 4 Megapixel progressive scan CMOS	FRAME RATE		HBW2GR3V, HBW2GR1V: 1080P (1-25/30fps) HBL2GR1V: 1080P (1-50/60fps WDR off) HBW4GR1V: 4M (1~25/30fps)
NUMBER OF PIXELS (H × V)	HBW2GR3V, HBW2GR1V, HBL2GR1V: 2MP - 1920x1080 HBW4GR1V: 4MP - 2560x1440/2688x1520		THIRD STREAM	HBW2GR3V, HBW2GR1V: Simultaneous Main stream and Third stream at 1080P (Main stream +Third stream <=68fps, WDR off, 2nd stream off) HBL2GR1V: Simultaneous Main stream and Third stream at 1080P (Main stream at 50/60fps WDR off, Third stream at 50/60fps WDR off) HBW4GR1V: Simultaneous Main stream and Third stream at 4MP (Main stream +Third stream <=34fps, 2nd stream off)
MINIMUM ILLUMINATION	HBW2GR3V, HBW2GR1V, HBL2GR1V: Color: 0.001Lux @f/1.6, B/W: 0Lux @f/1.6(IR on) HBW4GR1V: Color: 0.01Lux @f/1.6, B/W: 0Lux @f/1.6(IR on)	AUDIO COMPRESSION		G.711a/ G.711Mu/ AAC/G.726
S/N RATIO	50db minimum	AUDIO STREAM	Full duplex, simplex	
ELECTRONIC SHUTTER SPEED	Auto/Manual, 1/3(4)~1/100000s	SUPPORTED WEB BROWSERS	IE11/Chrome(with application)/Firefox(earlier than 52.0 version)	
IR DISTANCE	60m	SUPPORTED OS	Windows® 7 32-bit/64-bit; Windows® 10 32-bit/64-bit	
DAY/NIGHT	Mechanical ICR (ON / OFF / AUTO selectable)	SUPPORTED PROTOCOLS*	HTTP; HTTPS; TCP; ARP; RTSP; RTP; UDP; SMTP; FTP; DHCP; DNS; DDNS; PPPOE; IPv4/v6; QoS; UPnP; NTP; Bonjour; 802.1x; Multicast; ICMP; SNMP	
BACKLIGHT COMPENSATION	BLC / HLC / WDR / SAC (Scene Adaptive Control)	COMPATIBILITY	ONVIF Profile S, G and Q	
WIDE DYNAMIC RANGE (WDR)	HBL2GR1V: 140dB (50/60fps off) HBW2GR1V, HBW2GR3V, HBW4GR1V: 120dB (50/60fps off)	MAXIMUM USERS ACCESS	20 users	
WHITE BALANCE	Auto/Natural/Street Lamp/Outdoor/Manual/Customize Region	SECURITY	User account and password protection HTTPS, IP Filter, IEEE 802.1x, Digest authentication, User access log, TLS1.2, AES-256, SSH/Telnet closed, FTP disabled, PCI-DSS compliance, Hardware chipset for private key	
GAIN CONTROL	Auto/Manual	HEAT MAP	HBL2GR1V: Support	
NOISE REDUCTION	3DNR	BUILT-IN ALARM & EVENT	EVENT TYPE	HBW2GR1V, HBW2GR3V, HBW4GR1V: Motion Detection/Video Tampering/Face Detection/SD Card Error/SD Card Capacity Warning/Audio Detection/ Object Abandoned/Object Missing/Tripwire/Intrusion HBL2GR1V: Motion Detection/Video Tampering/Face Detection/SD Card Error/SD Card Capacity Warning/Audio Detection/Object Abandoned/Object Missing/People counting
PRIVACY MASKING	4 configurable windows			EVENT LINKAGE
ELECTRONIC IMAGE STABILIZATION	HBW2GR3V, HBW2GR1V, HBW4GR1V: Not supported HBL2GR1V: OFF/ON	EVENT OUTPUT	ONVIF, ISOM	
DEFOG	Auto/Manual/Off	UPLOADABLE VIDEO ANALYTICS (HBL2GR1V ONLY)	BASIC	Trigger line/Intrusion/Loitering available now (Please download from www.honeywellvideo.com. Free of Charge, but please email to VAlicensing@Honeywell.com to get license.)
LENS	HBW2GR3V: 5-60mm MFZ, HALL IRIS(Extended Focal Depth), optical zoom 12x lens F1.6 HBW2GR1V, HBW4GR1V: 2.7-13.5 mm MFZ, DC IRIS, optical zoom 5x lens F1.6 HBL2GR1V: 2.7-12 mm MFZ, HALL IRIS(Extended Focal Depth), optical zoom 4x lens F1.6		ADVANCED LICENSED ANALYTICS	IntrusionTrace/LoiterTrace for advanced applications coming soon. ( Need to purchase separately)
	ANGLE OF VIEW	ANALYTICS OUTPUT	ISOM event output, Metadata	
	HBW2GR3V: H: 62° - 6°, V: 34° - 4° HBW2GR1V: H: 110° - 32°, V: 59° - 19° HBL2GR1V: H: 102° - 35°, V: 54° - 21° HBW4GR1V: H: 110° - 30°, V: 53° - 18°	MICRO SD	Micro SDHC Capacity Max 32GB Micro SDXC Capacity Max 128GB	
AUDIO/TWO-WAY	Line In/Out	MICRO SD FUNCTION	Event trigger recording; Continuous and scheduled recording; Automatic recording when network fails	
ALARM INPUT/OUTPUT	2 In / 1 Out	LANGUAGES SUPPORTED	English, Arabic, Czech, Dutch, French, German, Italian, Japanese, Korean, Polish, Portuguese, Russian, Simplified Chinese, Spanish, Turkish	
ANALOG OUTPUT SUPPORT	Twin outputs (for adjustment only)			
ETHERNET	HBW2GR3V, HBW2GR1V, HBW4GR1V: RJ-45 (10/100Base-T) HBL2GR1V: RJ-45 (100/1000Base-T)			
IP SPECIFICATIONS				
VIDEO COMPRESSION	H.265+, H.265, H.264 and MJPEG bit rate control (CBR and VBR)			
RESOLUTION	16:9	HBW2GR3V, HBW2GR1V, HBL2GR1V: 1080p (1920x1080)/ 720p (1280x720) HBW4GR1V: 3M (2304x1296)/1080p (1920x1080)/ 720p (1280x720)		
	4:3	1.3M (1280x960)/VGA (640x480) HBW2GR3V, HBW2GR1V, HBL2GR1V: D1 (704x576/704x480)/ CIF (352x288/352x240) HBW4GR1V: 4M (2688x1520)/(2560x1440)/ D1 (704x576/704x480)/ CIF (352x288/352x240)		
	OTHER			

# Network TDN Low-Light WDR 2MP/4MP IR Rugged Bullet

ELECTRICAL		ENVIRONMENTAL	
POWER SUPPLY	PoE+(802.3at) Class 4/12VDC/AC24V	OPERATING TEMPERATURE	-40°F to 140°F (-40°C to 60°C)
LONG DISTANCE POE SUPPORT	3X POE (300m @100Mbps)	RELATIVE HUMIDITY	0% to 95%, non-condensing
AC FREQUENCY	50/60 Hz	GORE VENTS	Yes
POWER CONSUMPTION	<b>HBW2GR3V:</b> Max 17.3W ; <b>HBW2GR1V:</b> Max 20.5W <b>HBL2GR1V:</b> Max 17W <b>HBW4GR1V:</b> Max 17.6W	INGRESS PROTECTION	IP 67
AUXILIARY POWER SUPPLY	2.0W, DC12V (+/-5%)	IMPACT RESISTANCE	IK10
MECHANICAL		HEATER, FAN OPTION	Heater
DIMENSIONS	11.1 × 4.3 in. (281.0 × 110.0 mm)	REGULATORY	
WEIGHT	<b>Product weight:</b> 4.70lb (2130g) <b>Package Weight:</b> 6.28lb (2847g)	EMISSIONS	FCC Part 15, CE (EN 55032); Complies with RCM (AS/NZS)
CONSTRUCTION	Die-cast aluminum housing with powder coat	IMMUNITY	CE (EN 50130-4)
CONSTRUCTION COLOR	RAL 9003 (White) and RAL 7022 (Grey)	SAFETY	North America UL Listed to UL/CSA 60950-1, CE (EN 60950-1); North America UL Listed to UL/CSA 60950-22, CE (EN 60950-22)
		ROHS	EN 50581

\* Some development may be required in specific user cases to support some of these protocols in the field as they mature over time.

## RECOMMENDED ACCESSORIES

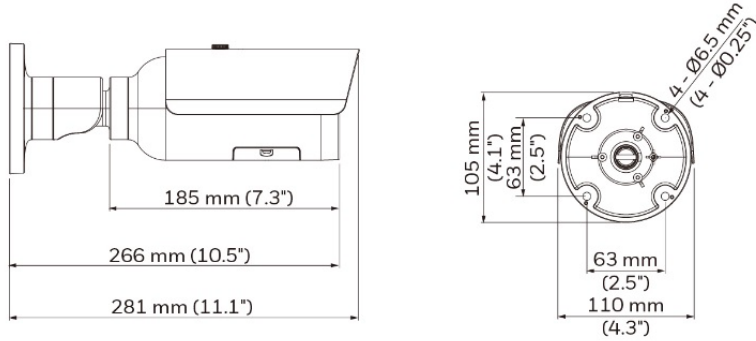
SYSTEM INTEGRATION		HOUSING AND MOUNTS	
ONVIF support and open API software integration. Refer to <a href="http://www.onvif.org">www.onvif.org</a> for the ONVIF specification and the Honeywell Open Technology Alliance website ( <a href="http://www.security.honeywell.com/hota/">http://www.security.honeywell.com/hota/</a> ) to learn more about our open and integrated solutions.		HB4G-PM	 Pole Mount Adapter
		HB34G-CM	 Corner Mount Adapter
		HBG-BB	 IP66 Back Box with Gasket (for Cable Termination)
		HBG-FP	 Front Lens Plate Replacement (if Vandalized)
		HLR1001	 IP over Coax Converter
		HPOE3X	 3X Long Distance POE Switch

ORDERING	
HBW2GR3V	Network TDN Low Light WDR IR Bullet Camera, 1/2.8" 2 Megapixel progressive scan CMOS, 5-60 mm MFZ, 4 IR LEDs, PoE+, H.265.
HBW2GR1V	Network TDN Low Light WDR IR Bullet Camera, 1/2.8" 2 Megapixel progressive scan CMOS, 2.7-13.5 mm MFZ, 4 IR LEDs, PoE+, H.265.
HBL2GR1V	Network TDN Intelligent Ultra WDR IR Bullet Camera, 1/2.8" 2 Megapixel progressive scan CMOS, 2.7-12 mm MFZ, 4 IR LEDs, PoE+, H.265
HBW4GR1V	Network TDN WDR IR Bullet Camera, 1/3" 4 Megapixel progressive scan CMOS, 2.7-13.5 mm MFZ, 4 IR LEDs, PoE+, H.265

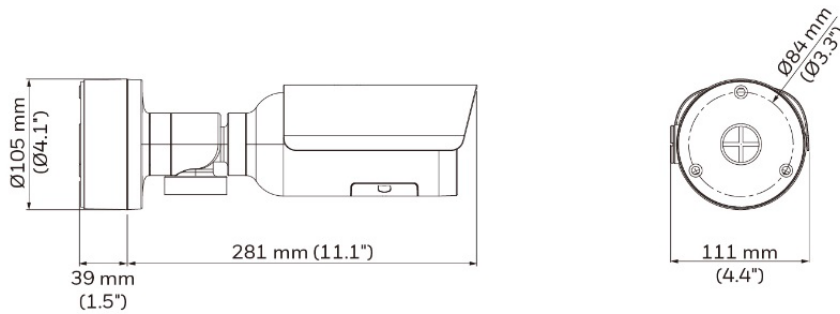
# Network TDN Low-Light WDR 2MP/4MP IR Rugged Bullet

## DIMENSIONS

\* DIMENSIONS DRAWING SHOWS BACK BOX.



### HBG-BB Back Box Mount Option



### For more information

[www.honeywellvideo.com](http://www.honeywellvideo.com)

### Honeywell Security and Fire

22700 Blankenbaker Pkwy, Suite 150

Louisville, KY 40299

1.800.323.4576

[www.honeywell.com](http://www.honeywell.com)

ONVIF and the ONVIF logo are trademarks of ONVIF Inc. Honeywell reserves the right, without notification, to make changes in product design or specifications.

HSV-HBx2GRxV-02-US(1118)DS-Y  
© 2018 Honeywell International Inc.

**Honeywell**

# 12 MP (4K Ultra HD) IR Bullet IP Cameras

HBD8GR1

Honeywell is taking quality and reliability to the next level with the new equiP<sup>®</sup> line of 4K Ultra HD IP bullet cameras. The Honeywell TDN Ultra HD IR rugged bullet cameras offer incomparable picture clarity, hassle-free flexible system integration, and secure data transmission—and they install easily too!

## Ultra HD 4K Image Quality

- Ultra HD 12 MP (4K) 20 fps image with a 1/1.7" 12 megapixel progressive scan CMOS, or full HD 8 MP 25/30 fps image
- Digital WDR (DWDR) ensures glare-free images
- True Day/Night provides vivid color images by day and clear black-and-white images at night using a removable IR cut filter
- Excellent low-light performance with 3D noise reduction, saving storage and bandwidth together with H.265 Profile codec

## Flexible Surveillance Solution

- 5.1–12.8 mm, F1.7, motorized focus/zoom lens
- H.265, H.264 and MJPEG codec, triple stream support
- IR LEDs provide up to 210 ft (65 m) of illumination in dimly lit or nighttime scenes (depending on scene reflectance)
- Smart IR technology provides even distribution of IR
- Waterproof (IP67) and IK10 impact-resistant camera housing
- –40°F to 140°F (–40°C to 60°C) working temperature
- ONVIF Profile S and G compliant
- Security features include individual signed certificates and data encryption
- Cameras can be retrofitted on many existing DVR/NVR installations without requiring additional storage

## Onboard Video Storage

- Supports up to 128 GB microSDHC (Class 10) card for local video storage when network is interrupted. Card not included



## Easy to Install and Use

- Built-in PoE+ (Power over Ethernet 802.3at) eliminates separate power supply and associated wiring; 24 VAC/12 VDC inputs where PoE power is unavailable
- Remote configuration, motorized zoom adjustments and auto focus through web client or from the NVR
- Included accessories: security screw driver, mounting screws, conduit adapter, and mounting template

## Market Opportunities

These fully featured attractive cameras are perfect for outdoor installations that require excellent picture quality at minimal bandwidth while offering maximum protection against dust, dirt, and water. Boasting a sleek modern design and offering 4K high definition images, the cameras are suited for a wide range of applications.

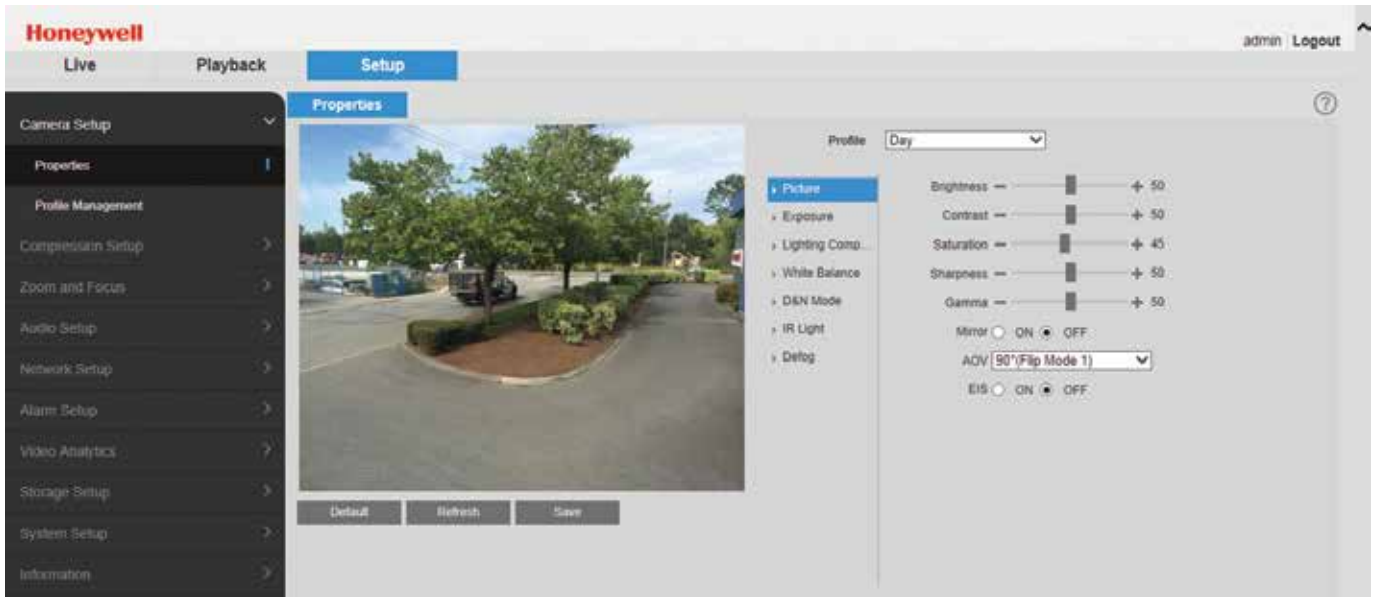
## FEATURES AND BENEFITS

- |   |  |   |  |  |
|---|--|---|--|--|
| <ul style="list-style-type: none"><li>• Ultra HD 4K/12 MP resolution at 20 fps or 8 MP at 25/30 fps</li><li>• Up to triple stream support</li><li>• 210 ft (65 m) IR distance, depending on scene reflectance</li></ul> | <ul style="list-style-type: none"><li>• 1/1.7" 12 megapixel progressive scan CMOS imager</li><li>• Excellent low light performance with down to 0 lux BW (with IR LEDs on)</li><li>• Digital WDR</li></ul> | <ul style="list-style-type: none"><li>• Choice of 24 VAC, 12 VDC or PoE+ (802.3at) power inputs</li><li>• 5.1–12.8 mm, F1.7, motorized focus and zoom lens</li><li>• Corridor mode viewing capability</li></ul> | <ul style="list-style-type: none"><li>• Rugged outdoor housing with IP67 ingress protection rating and IK10 impact resistance rating</li><li>• Onboard camera storage up to 128 GB microSD card (not included)</li><li>• ONVIF profile S and G compliant</li></ul> | <ul style="list-style-type: none"><li>• Built-in cyber security hardware chipset</li><li>• Global language support with QIGs, Web GUI, and online help in 15 languages</li><li>• Compliant with UL2900-1, certified by UL Cyber Assurance Program (UL CAP)</li></ul> |
|---|--|---|--|--|

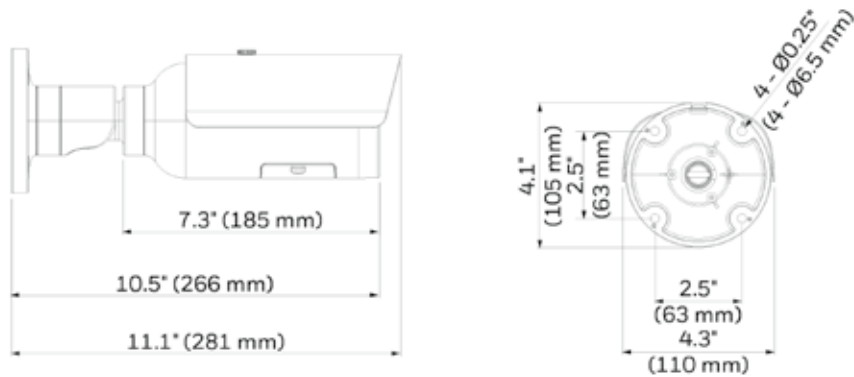
# 12 MP (4K Ultra HD) Outdoor IR IP Bullet Cameras

## FEATURES CONTINUED

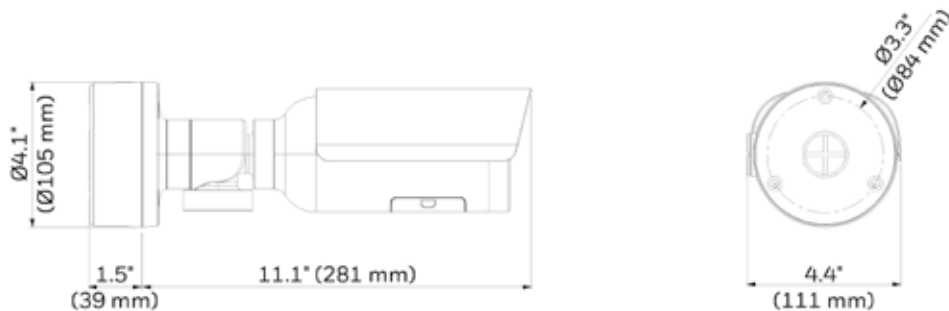
The camera can be configured to automatically detect and respond to events such as motion in the scene, alarm inputs, network failure, and/or camera tampering. Automated responses include: sending a notification through email, FTP, and/or HTTP; sending a still image of the event through email and/or FTP; and recording a video clip of the event to a configured microSDHC card. Setup can be done through the web client.



## DIMENSIONS



HBG-BB Back Box Mount Option



# 12 MP (4K Ultra HD) Outdoor IR IP Bullet Cameras Technical Specifications

OPERATIONAL		
VIDEO STANDARD	NTSC/PAL	
SCANNING SYSTEM	Progressive scan	
IMAGE SENSOR	1/1.7" 12 MP progressive CMOS	
NUMBER OF PIXELS (H × V)	4000 × 3000	
MINIMUM ILLUMINATION	0.02 lux color @ F1.7, 0 lux B/W with IR LEDs on @ F1.7	
S/N RATIO	50 dB	
ELECTRONIC SHUTTER SPEED	Auto, Manual, 1/3(4) – 1/100,000 s	
IR DISTANCE	Up to 210 ft. (65 m), depending on scene reflectance	
DAY/NIGHT	Auto (ICR)/Color/BW	
BACKLIGHT COMPENSATION	BLC/HLC/DWDR/SSA	
WIDE DYNAMIC RANGE	Digital WDR (DWDR)	
WHITE BALANCE	Auto/Natural/Street Lamp/Outdoor/Customize Region	
GAIN CONTROL	Auto/Manual	
NOISE REDUCTION	3DNR	
PRIVACY MASKING	Up to 4 configurable areas	
CORRIDOR MODE	Yes	
ELECTRONIC IMAGE STABILIZATION	Off/On	
DEFOG	Auto/Manual/Off	
LENS	5.1–12.8 mm, MFZ, F1.7	
ANGLE OF VIEW	Horizontal: 86° – 35°	
AUDIO/TWO-WAY	Line In/Out	
ALARM INPUT/OUTPUT	2/1	
ETHERNET	RJ-45 (10/100/1000Base-T)	
ANALOG OUTPUT	BNC Connector	
IP SPECIFICATIONS		
VIDEO COMPRESSION	H.265/H.264+/H.264/MJPEG Bit rate control (CBR and VBR)	
RESOLUTION	16:9	8M (3840×2160)/3M (2304×1296)/1080p (1920×1080)/720p (1280×720)
	4:3	12M (4000×3000)/5M (2560×1920)/3M (2048×1536)/1.3M (1280×960)/VGA (640×480)/CIF (352×288/352×240)
	OTHER	8M (4096×2160)/6M (3072×2048)/SXGA (1280×1024)/D1 (704×576/704×480)
FRAME RATE	MAIN STREAM	12M (4000×3000) 1–20 fps; 8M (4096×2160) or lower resolution at 1–25/30 fps
	SUB STREAM	D1/VGA/CIF up to 25/30 fps
	THIRD STREAM	1080p/720p/D1/VGA up to 25/30 fps
AUDIO COMPRESSION	G.711a/G.711Mu/AAC/G.726	
AUDIO STREAM	Full duplex, simplex	
SUPPORTED WEB BROWSERS	Internet Explorer® (11.0+), Firefox, Chrome	
SUPPORTED OS	Windows® 7 32-bit/64-bit, Windows 10	

IP SPECIFICATIONS (CONT)	
SUPPORTED PROTOCOLS*	IPv4/v6, TCP/IP, UDP, RTP, RTSP, HTTP, HTTPS, SSL, ICMP, FTP, SMTP, DHCP, PPPoE, UPnP, IGMP, SNMP, Bonjour, DNS, DDNS, IEEE 802.1x, QoS, NTP, IP Filter, Multicast, ONVIF
COMPATIBILITY	ONVIF Profile S and G
MAXIMUM USERS ACCESS	20 users
SECURITY	User account and password protection, HTTPS, IP Filter, IEEE 802.1x, digest authentication, user access log, TLS1.2, AES-256, SSH/Telnet closed, FTP disabled, PCI-DSS, built-in crypto chipset, UL2900-1, UL Cyber Assurance Program (UL CAP) certification
MICRO SD	Up to 128 GB microSDHC card, Class 10 (not included)
MICRO SD FUNCTION	<ul style="list-style-type: none"> <li>Event trigger recording</li> <li>Continuous and scheduled recording</li> <li>Automatic recording when network fails</li> </ul>
LANGUAGES SUPPORTED	English, Arabic, Czech, Dutch, French, German, Italian, Japanese, Korean, Polish, Portuguese, Russian, Simplified Chinese, Spanish, Turkish
ELECTRICAL	
POWER SUPPLY	PoE+ (802.3at) Class 4, 12 VDC/24 VAC
AC FREQUENCY	50/60 Hz
POWER CONSUMPTION	18 W max. (IR LEDs on and motorized lens working)
MECHANICAL	
DIMENSIONS	11.1" × 4.3" (281.0 mm × 110.0 mm)
PRODUCT WEIGHT	4.4 lb. (2.0 kg)
PACKAGE WEIGHT	5.0 lb. (2.3 kg)
CONSTRUCTION	Die-cast aluminum housing with powder coat
CONSTRUCTION COLOR	RAL 9003 (White) and RAL 7022 (Gray)
ENVIRONMENTAL	
OPERATING TEMPERATURE	–40°F to 140°F (–40°C to 60°C)
RELATIVE HUMIDITY	Less than 95%, non-condensing
INGRESS PROTECTION	IP67
IMPACT RESISTANCE	IK10
REGULATORY	
EMISSIONS	EN55032, FCC Part 15B, AS/NZS CISPR 22:2009+A1 (2010)
IMMUNITY	EN50130-4
SAFETY	EU: EN60950-1, EN60950-22 North America UL listed to UL/CSA 60950-1, 60950-22
ROHS	EN50581

\* Some development may be required in specific user cases to support some of these protocols in the field as they mature over time.

# 12 MP (4K Ultra HD) Outdoor IR IP Bullet Cameras

## RECOMMENDED ACCESSORIES

SYSTEM INTEGRATION		HOUSING AND MOUNTS		
<p>ONVIF support and open API software integration. Refer to <a href="http://www.onvif.org">www.onvif.org</a> for the ONVIF specification and the Honeywell Open Technology Alliance website (<a href="http://www.security.honeywell.com/hota/">http://www.security.honeywell.com/hota/</a>) to learn more about our open and integrated solutions.</p>		HB4G-PM		Pole Mount Adapter
		HB34G-CM		Corner Mount Adapter
		HBG-BB		IP66 Back Box with Gasket (for Cable Termination)
		HBG-FP		Front Lens Plate Replacement (if Vandalized)
HONEYWELL DEVICE INTEGRATION				
MAXPRO® NVR FAMILY	Entry to Enterprise Level Network Video Recorders (version 4.0 and greater)			
MAXPRO® VMS FAMILY	Entry to Enterprise Level Network Video VMS (version R410 and greater)			
DVM	DVM R600.1 SP1			
HUS	HUS 5.1			

## ORDERING

HBD8GR1	Network TDN Ultra 4K HD IR Bullet Camera, 1/1.7" CMOS, 12 MP, 5.1–12.8 mm MFZ, 4 IR LEDs, PoE+, H.265
---------	---

### For more information

[www.honeywell.com/security](http://www.honeywell.com/security)

### Honeywell Security and Fire

2700 Blankenbaker Pkwy, Suite 150

Louisville, KY 40299

1.800.323.4576

[www.honeywell.com](http://www.honeywell.com)

ONVIF and the ONVIF logo are trademarks of ONVIF Inc. Honeywell reserves the right, without notification, to make changes in product design or specifications.

L/HBD8GR1D/D | 12/18  
© 2018 Honeywell International Inc.

**Honeywell**



## HBL2GR1/HBW2GR1/ HBW2GR3/HBW4GR1

### WDR IR Rugged IP Bullet Cameras

Honeywell is taking quality and reliability to the next level with the New equiP® line of rugged IP bullet cameras. The Honeywell TDN ultra low-light IR rugged bullet cameras offer outstanding picture clarity, hassle-free flexible system integration, and secure data transmission—and they look great too!

#### Superior Image Quality

- Full HD 1080p 25/30 fps image with a 1/2.7" or 1/2.8" 2 megapixel sensor, or full HD 4 MP 20 fps image with a 1/3" 4 megapixel sensor
- True WDR, up to 140 dB, ensures glare-free images
- True Day/Night provides vivid color images by day and clear black-and-white images at night with ICR
- Excellent low-light performance with 3D noise reduction, saving storage and bandwidth together with H.264 High Profile codec
- Ultra Low Light technology is able to capture high quality color images in low light environments

#### Flexible Surveillance Solution

- 2.7–12 mm or 5–50 mm, F1.4, motorized focus/zoom lens
- H.264 and MJPEG codec, triple stream support
- IR LEDs provide up to 195 ft (60 m) of illumination in dimly lit or nighttime scenes (depending on scene reflectance)
- Smart IR technology provides even distribution of IR
- Waterproof (IP67) and IK10 vandal resistant camera housing
- -40°F to 140°F (-40°C to 60°C) working temperature
- ONVIF Profile S and G compliant
- Security features include individual signed certificates and data encryption
- Cameras can be retrofitted on many existing DVR/NVR installations without requiring additional storage



**HD**

Back box sold separately



#### Easy to Install and Use

- Built-in PoE (Power over Ethernet) eliminates separate power supply and associated wiring; 24 V AC/12 V DC inputs where PoE power is unavailable
- Remote configuration, motorized zoom adjustments and auto focus through web client or from the NVR
- Included accessories: security screw driver, mounting screws, and mounting template

#### Onboard Video Storage

- Supports up to 128 GB microSDHC (Class 10) card for local video storage when network is interrupted. Card not included.

## FEATURES AND BENEFITS

These fully featured attractive cameras are perfect for outdoor installations that require excellent picture quality at minimal bandwidth while offering maximum protection against dust, dirt, and water. Boasting a sleek modern design and offering two different lens options, the cameras are suited for a wide range of applications.

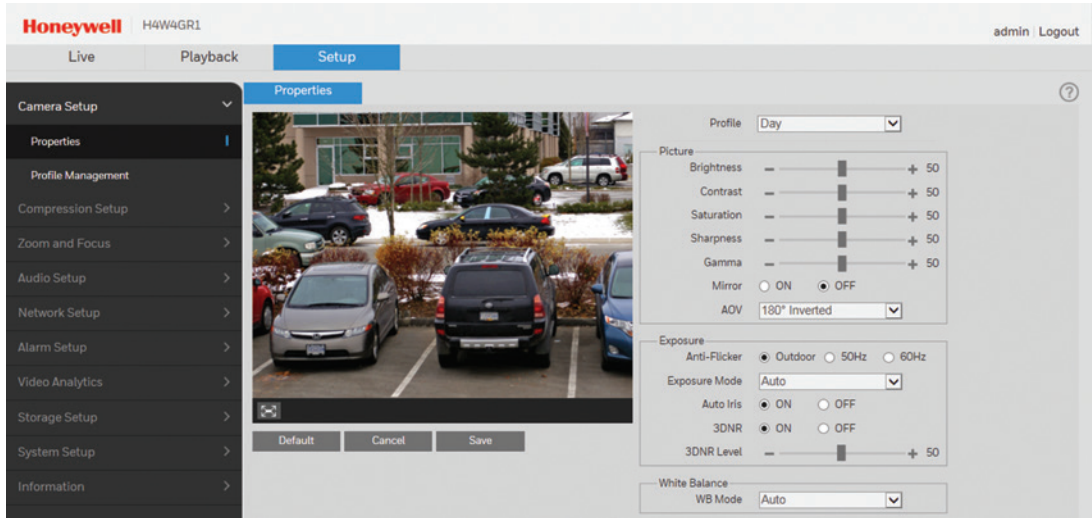
- 1/2.7" or 1/2.8" 2 megapixel progressive scan imager or 1/3" 4 MP progressive scan imager
- Ultra-low light performance
- 195 ft (60 m) IR distance, depending on scene reflectance
- True WDR: up to 140 dB
- Excellent low light performance with down to 0 lux BW (with IR LEDs on)
- Up to triple stream support
- Up to 4 megapixel resolution at 20 fps or 1080p at 25/30 fps
- 2.7-12 mm or 5-50 mm, F1.4, motorized focus and zoom lens
- Rugged outdoor housing with IP67 ingress protection rating and IK10 vandal resistance rating
- Corridor mode viewing capability
- On board camera storage: up to 128 GB micro SD card (not included)
- ONVIF profile S and G compliant



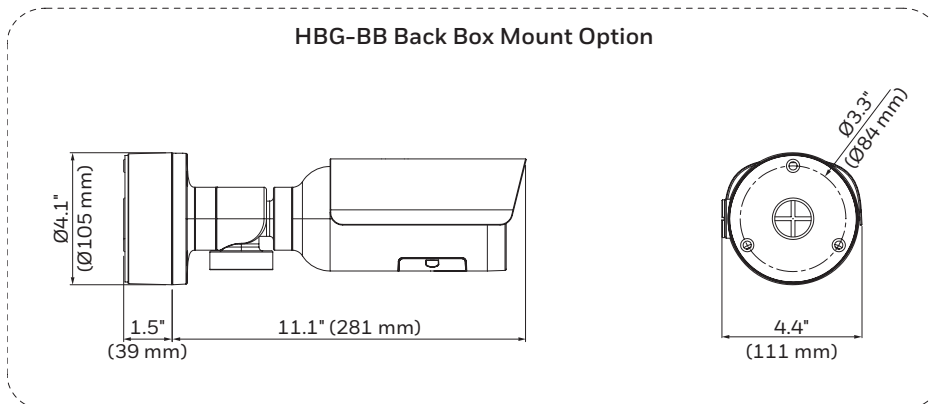
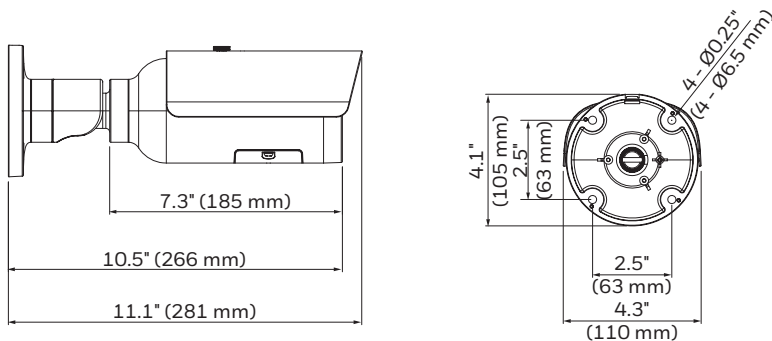
# HBL2GR1/HBW2GR1/HBW2GR3/HBW4GR1

## WDR IR Rugged IP Bullet Cameras

The camera can be configured to automatically detect and respond to events such as motion in the scene, alarm inputs, network failure, and/or camera tampering. Automated responses include: sending a notification through email, FTP, and/or HTTP; sending a still image of the event through email and/or FTP; and recording a video clip of the event to a configured microSDHC card. Setup can be done through a web client or from an NVR.



## DIMENSIONS



# HBL2GR1/HBW2GR1/HBW2GR3/HBW4GR1

## WDR IR Rugged IP Bullet Cameras

### SPECIFICATIONS

OPERATIONAL		IP SPECIFICATIONS (CON'T)	
<b>Video Standard</b>	NTSC/PAL	<b>Sub Stream</b>	HBW2GR1/HBW2GR3/HBL2GR1 (PAL): 1-25 fps (D1-704x576, CIF-352x288) HBW2GR1/HBW2GR3/HBL2GR1 (NTSC): 1-30 fps (D1-704x480, CIF-352x240) HBW4GR1 (PAL): 1-20 fps (D1-704x576, CIF-352x288) HBW4GR1 (NTSC): 1-20 fps (D1-704x480, CIF-352x240)
<b>Scanning System</b>	Progressive scan		
<b>Image Sensor</b>	HBL2GR1: 1/2.8" 2 MP progressive CMOS	<b>Frame Rate</b>	HBW2GR1/HBW2GR3 (PAL): 720p 1-14 fps, D1 (704x576) 1-25 fps, CIF (352x288) 1-25 fps HBW2GR1/HBW2GR3 (NTSC): 720p 1-3 fps, D1 (704x480) 1-9 fps, CIF (352x240) 1-30 fps HBW4GR1 (PAL): 1-20 fps (720p, D1-704x576, CIF-352x288) HBW4GR1 (NTSC): 1-20 fps (720p, D1-704x480, CIF-352x240) HBL2GR1 (PAL): 1080p 1-20 fps, 1-25 fps (720p, D1-704x576) HBL2GR1 (NTSC): 1080p 1-15 fps, 1-30 fps (720p, D1-704x480)
	HBW2GR1/HBW2GR3: 1/2.7" 2 MP progressive CMOS		
<b>Number of Pixels (H×V)</b>	HBL2GR1/HBW2GR1/HBW2GR3: 1920 × 1080	<b>Triple Stream</b>	HBW2GR1/HBW2GR3 (PAL): 720p 1-14 fps, D1 (704x576) 1-25 fps, CIF (352x288) 1-25 fps HBW2GR1/HBW2GR3 (NTSC): 720p 1-3 fps, D1 (704x480) 1-9 fps, CIF (352x240) 1-30 fps HBW4GR1 (PAL): 1-20 fps (720p, D1-704x576, CIF-352x288) HBW4GR1 (NTSC): 1-20 fps (720p, D1-704x480, CIF-352x240) HBL2GR1 (PAL): 1080p 1-20 fps, 1-25 fps (720p, D1-704x576) HBL2GR1 (NTSC): 1080p 1-15 fps, 1-30 fps (720p, D1-704x480)
	HBW4GR1: 1/3" 4 MP progressive CMOS		
<b>Minimum Illumination</b>	HBL2GR1: 0.005 lux color/0 lux with IR LEDs on @ F1.4	<b>Protocols*</b>	IPv4/IPv6, HTTP, HTTPS, TCP/IP, UDP, UPnP, ICMP, IGMP, RTSP, RTP, SMTP, NTP, DHCP, DNS, PPPoE, DDNS, FTP, QoS, SNMP v2c/v3, LDAP (Client), NFS, RTCP, Bonjour
	HBW2GR1/HBW2GR3/HBW4GR1: 0.01 lux color/0 lux with IR LEDs on @ F1.4		
<b>S/N Ratio</b>	50 dB or more	<b>Compatibility</b>	ONVIF Profile S/G
<b>Electronic Shutter Speed</b>	Auto, Manual, 1/3(4)-1/10 000 s	<b>Max. User Access</b>	20 users
<b>IR Distance</b>	Up to 195 ft (60 m), depending on scene reflectance	<b>Languages Supported</b>	English, Arabic, Czech, Dutch, French, German, Italian, Japanese, Korean, Polish, Portuguese, Russian, Simplified Chinese, Spanish, Turkish
<b>Day/Night</b>	Auto(ICR)/Color/BW		
<b>Backlight Compensation</b>	BLC/HLC	<b>ELECTRICAL</b>	
<b>Wide Dynamic Range</b>	HBL2GR1: 140 dB	<b>Input Voltage</b>	24VAC +/-10%, PoE IEEE 802.3af
	HBW2GR1/HBW2GR3/HBW4GR1: 120 dB	<b>AC Frequency</b>	50/60 Hz
<b>White Balance</b>	Auto/Manual	<b>Power Consumption</b>	24VAC 12W max (zoom/focus/IRs/heater active), typical 10.5W PoE (802.3af) Class 0 HBL2GR1 PoE (802.3at) 24VAC 14.5W Class 4
<b>Gain Control</b>	Auto/Manual		
<b>Noise Reduction</b>	3DNR	<b>MECHANICAL</b>	
<b>Privacy Masking</b>	Up to 4 areas	<b>Dimensions</b>	1.1.1 × 4.3 in. (281.0 × 110.0 mm)
<b>Corridor Mode</b>	Yes	<b>Product Weight</b>	4.4 lb (2.0 kg)
<b>Lens</b>	HBL2GR1/HBW2GR1/H4W4GR1: 2.7-12 mm, MFZ, F1.4	<b>Package Weight</b>	5.0 lb (2.3 kg)
	HBW2GR3: 5-50 mm, MFZ, F1.4	<b>Construction</b>	Die-cast aluminum housing with powder coat
<b>Horizontal Angle of View</b>	HBL2GR1: 97°-34°	<b>Construction Color</b>	RAL9003 (White) and RAL7022 (Gray)
	HBW2GR1/HBW4GR1: 99°-34°	<b>Recording and Storage</b>	Up to 128 GB microSDHC card Class 10 (not included)
HBW2GR3: 66°-6.2°	<b>Audio/Two-Way</b>	<b>ENVIRONMENTAL</b>	
	Line In/Out	<b>Temperature</b>	-40°F to 140°F (-40°C to 60°C)
<b>IP SPECIFICATIONS</b>		<b>Relative Humidity</b>	10% to 100%, condensing
<b>Video Compression</b>	H.264/H.264H/H.264B/MJPEG	<b>Ingress Protection</b>	IP67
<b>Resolution</b>	HBL2GR1/HBW2GR1/HBW2GR3: 1080p (1920×1080)/SXGA (1280×1024)/1.3M (1280×960)/720p (1280×720)/D1 (704×576/704×480)/CIF (352×288/352×240)	<b>Vandal Resistance</b>	IK10
	HBW4GR1: 4M (2688×1520 with Analog video output off, or 2560×1440 with Analog video output on)/3M (2304×1296)/1080p (1920×1080)/SXGA (1280×1024)/1.3M (1280×960)/720p (1280×720)/D1 (704×576/704×480)/CIF (352×288/352×240)	<b>REGULATORY</b>	
<b>Frame Rate</b>	<b>Main Stream</b>	<b>Emissions</b>	FCC Part 15, CE (EN 55022); Complies with RCM (AS/NZS)
		<b>Immunity</b>	CE (EN 50130-4)
		<b>Safety</b>	North America UL Listed to UL/CSA 60950-1, CE (EN 60950-1) North America UL Listed to UL/CSA 60950-22, CE (EN 60950-22)

**Notes:**

\*Some development may be required in specific user cases to support some of these protocols in the field as they mature over time.

# HBL2GR1/HBW2GR1/HBW2GR3/HBW4GR1

## WDR IR Rugged IP Bullet Cameras

### ORDERING

#### SYSTEM INTEGRATION

##### Open IP Integration

ONVIF support and open API software integration. Refer to [www.onvif.org](http://www.onvif.org) for the ONVIF specification and the Honeywell Open Technology Alliance website (<http://www.security.honeywell.com/hota/>) to learn more about our open and integrated solutions.



#### ACCESSORIES

##### Housings and Mounts

HBG-BB	IP66 Back Box (for Cable Termination)
HBG-FP	Front Lens Plate (for Replacement if Vandalized)

#### ORDERING

##### Cameras

HBL2GR1	Network TDN Ultra Low-Light, 140db Wide Dynamic, IR Bullet Camera, 1/2.8" Imager, 2 MP, 2.7-12 mm MFZ Lens, 4 IR LEDs, PoE+, H.264
HBW2GR1	Network TDN Low-Light, 120db Wide Dynamic, IR Bullet Camera, 1/2.7" Imager, 2 MP, 2.7-12 mm MFZ Lens, 4 IR LEDs, PoE, H.264
HBW2GR3	Network TDN Low-Light, 120db Wide Dynamic, IR Bullet Camera, 1/2.7" Imager, 2 MP, 5-50 mm MFZ Lens, 4 IR LEDs, PoE, H.264
HBW4GR1	Network TDN Low-Light, 120db Wide Dynamic, IR Bullet Camera, 1/3" Imager, 4 MP, 2.7-12 mm MFZ Lens, 4 IR LEDs, PoE, H.264

#### For more information

[www.honeywell.com/security](http://www.honeywell.com/security)

#### Honeywell Security and Fire

2700 Blankenbaker Pkwy, Suite 150  
Louisville, KY 40299  
1.800.323.4576  
[www.honeywell.com](http://www.honeywell.com)

Honeywell reserves the right, without notification, to make changes in product design or specifications.

L/HBWDRCD/D | 06/16  
© 2016 Honeywell International Inc.

**Honeywell**