

DH-PFA138

Water-proof Junction Box



Features

- Material: Aluminum
- Junction Box
- Neat & Integrated design
- Safety rope hook attached, secure and reliable.

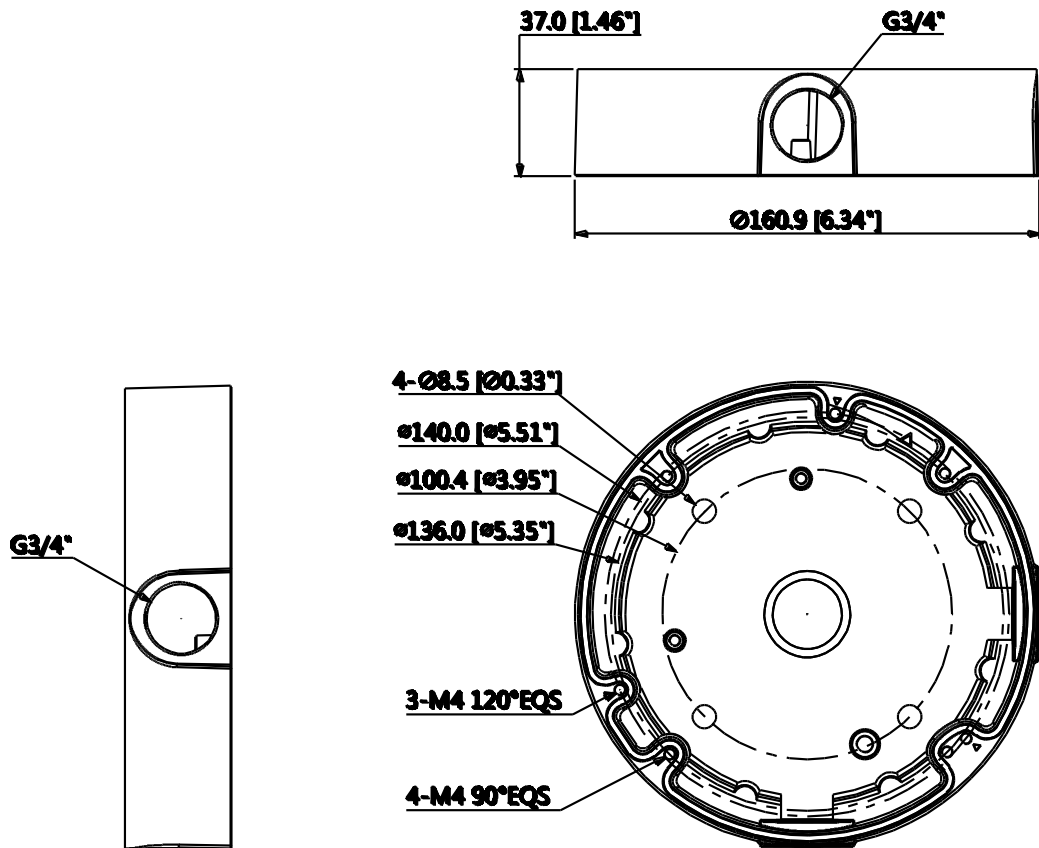
Technical Specifications

Model	DH-PFA138
General	
Material	Aluminum
Dimension(WXHXD)	φ161x37mm (φ6.34"x1.46")
Inch Thread	G3/4"
Weight	0.48kg(1.06lb)
Load Bearing	3.0kg(6.61lb)
Color	White
Operating Temperature	-40°C ~60°C(-40°F ~140°F)
Humidity	<90% RH
Applicable Model	Please see "Accessory Selection"

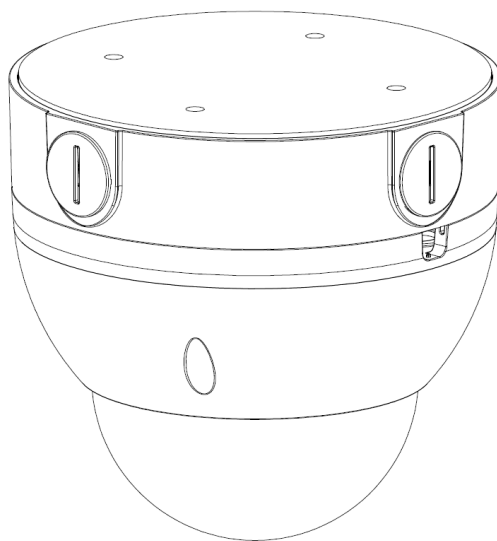
Order Information

Type	Part Number	Description
Camera Mount Series	DH-PFA138	Water-proof junction box _ Dahua brand
	PFA138	Water-proof junction box _ Neutral, no brand

Dimensions (mm/inch)



Application



Package Information

- Water-proof junction box *1
- M4x14 screw *4
- Plastic anchor *4
- ST6x45 screw *4
- Wrench *1
- Safety rope *1