

## DH-PFB303W

### Wall Mount Bracket



### Features

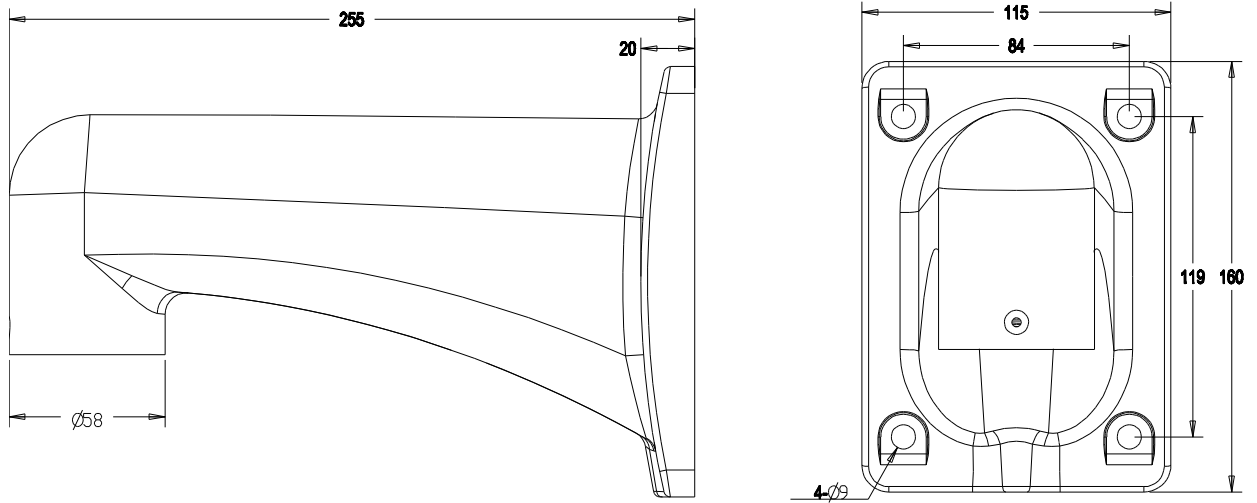
- Material: Aluminum
- Wall Mount Bracket
- Neat & Integrated design

### Specifications

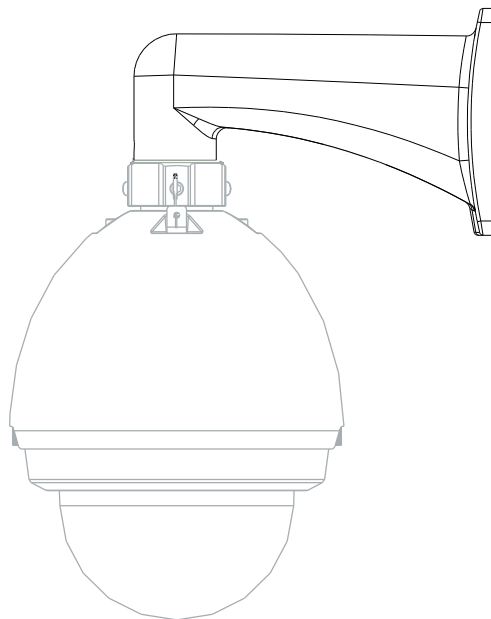
Model	DH-PFB303W
<b>General</b>	
Material	Aluminum
Dimension (W x H x D)	115mm x 160mm x 255mm
Pipe Thread	1 1/2" PF
Operating Temperature	-40°C ~60°C
Humidity	0~90% RH
Load Bearing	7.0Kg
Weight	0.7kg
Applicable Model	PFA110, PFA111, PFA114

# DH-PFB303W

## Dimensions (mm)



## Application



---

### Dahua Technology Co., Ltd.

1199 BinAn Road, Binjiang District, Hangzhou, China

Tel: +86-571-87688883

Fax: +86-571-87688815

Email: [overseas@dahuatech.com](mailto:overseas@dahuatech.com)

[www.dahuasecurity.com](http://www.dahuasecurity.com)

\*Design and specifications are subject to change without notice.

© 2014 Dahua Technology Co., Ltd.